



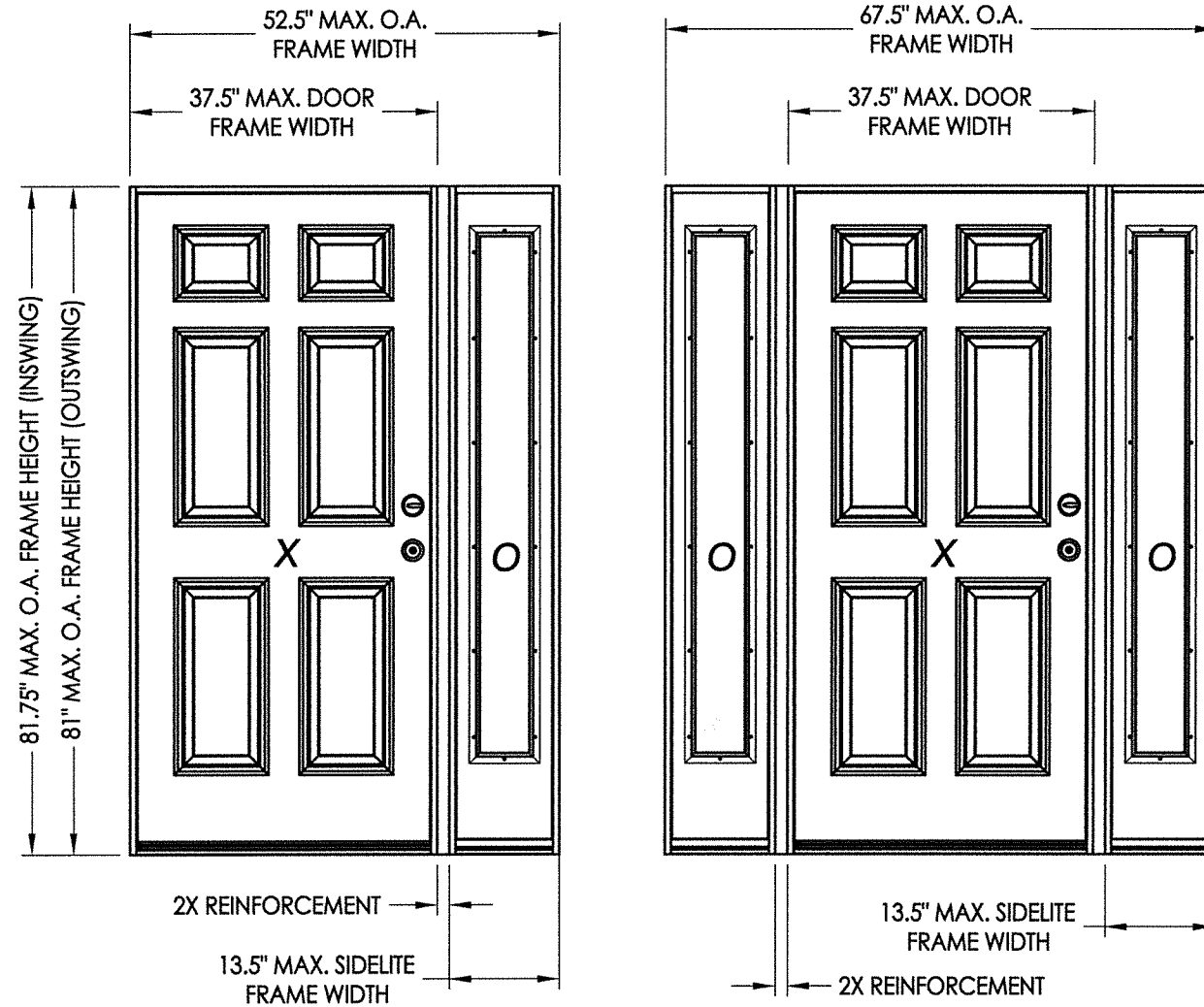
# SURE ROCK OPAQUE FIBERGLASS ENTRY DOORS IN SWING / OUT SWING "NON-IMPACT"

## GENERAL NOTES

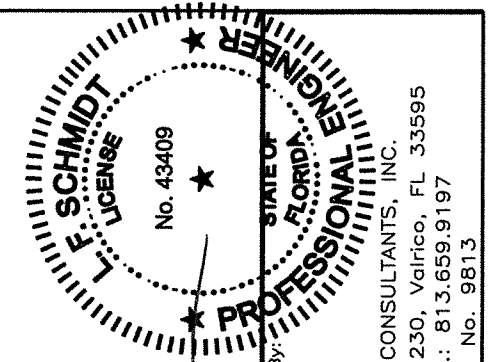
1. This product has been evaluated and is in compliance with the 5th Edition (2014) Florida Building Code (FBC) structural requirements excluding the "High Velocity Hurricane Zone" (HVHZ).
2. Product anchors shall be as listed and spaced as shown on details. Anchor embedment to base material shall be beyond wall dressing or stucco.
3. When used in areas requiring wind borne debris protection, this product is required to be protected with an impact resistant covering that complies with Section 1609.1.2 of the FBC.
4. For 2x stud framing construction, anchoring of these units shall be the same as that shown for 2x buck masonry construction.
5. Site conditions that deviate from the details of this drawing require further engineering analysis by a licensed engineer or registered architect.

### TABLE OF CONTENTS

SHEET #	DESCRIPTION
1	Typical Elevations, Design Pressures & General Notes
2	Door Panel Details
3	Sidelite Panel Details
4	Elevations
5	Horizontal & Vertical Cross Sections (2X Buck)
6	Horizontal & Vertical Cross Sections (1X Buck)
7	Horizontal & Vertical Cross Sections (Direct to Masonry)
8	Vertical Cross Sections (Thresholds)
9	Buck Anchoring
10	Frame Anchoring
11	Bill of Materials & Components



CONFIGURATION	MAX. FRAME DIMENSION	REINFORCEMENT	DESIGN PRESSURE (PSF) INSWING		DESIGN PRESSURE (PSF) OUTSWING	
			POSITIVE	NEGATIVE	POSITIVE	NEGATIVE
XO/OX	52.5" x 81.75"	2X	+45.0	-55.0	+45.0	-45.0
OXO	67.5" x 81.75"	2X	+45.0	-55.0	+45.0	-45.0



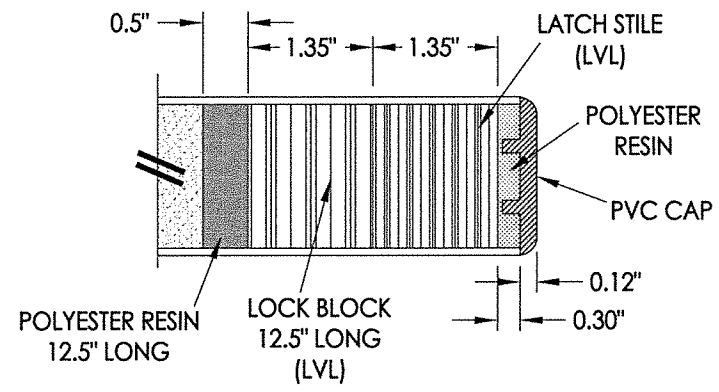
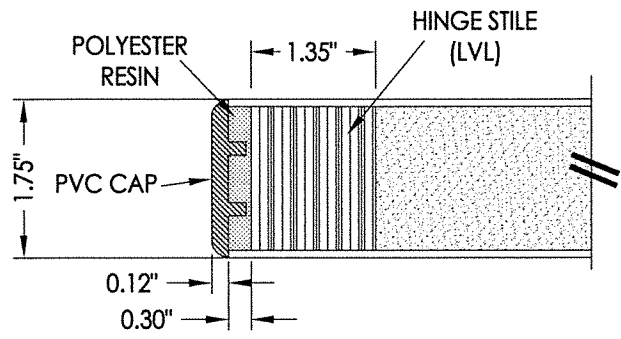
Documents Prepared By: *LFS*  
 Lyndon F. Schmidt  
 P.E. No. 43409  
 6.6.16  
 R.W. BUILDING CONSULTANTS, INC.  
 P.O. Box 230, Vairico, FL 33595  
 Phone No.: 813.659.9197  
 FBPE C.A. No. 9813

PRODUCT: SURE ROCK FIBERGLASS DOORS  
 PART OR ASSEMBLY: TYPICAL ELEVATION, DESIGN PRESSURES & GENERAL NOTES

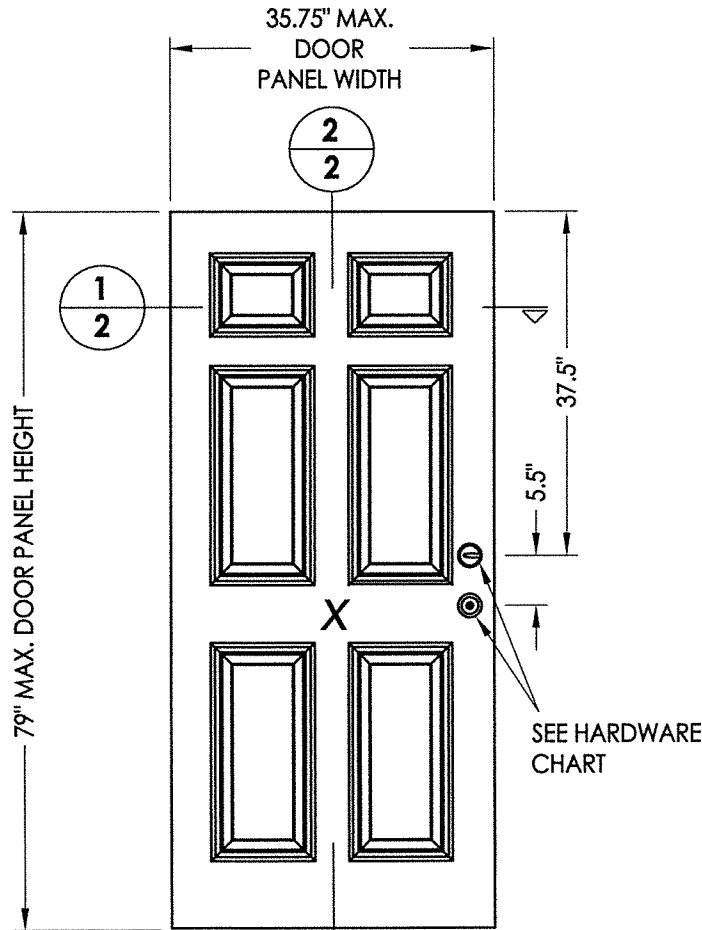
NO.	DATE	BY	REVISIONS

DATE: 5/17/16  
 SCALE: N.T.S.  
 DWG. BY: JK  
 CHK. BY: LFS  
 DRAWING NO.: FL-20474.2  
 SHEET 1 OF 11

R:\Clients\HM Sure Rock PERMANENTVA - Florida Product Approvals\FL-20474\C - Drawings\FL-20474 (2014)\FL-20474.1-3.dwg, 2.2



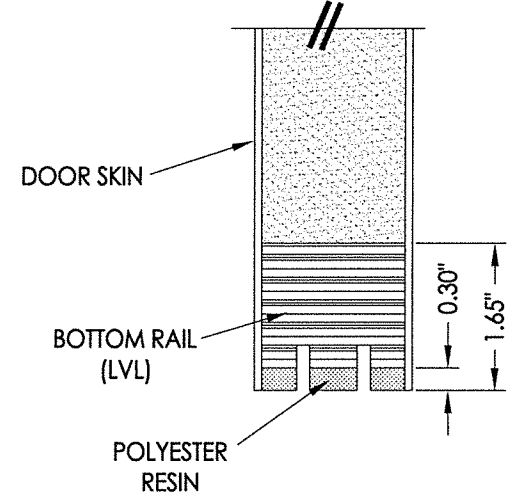
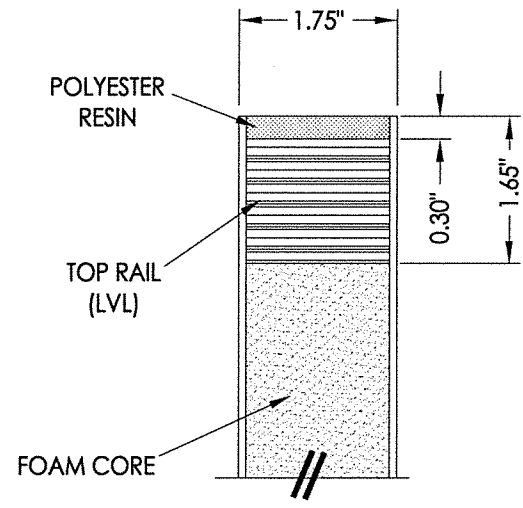
**1**  
**2** HORIZONTAL CROSS SECTION



**40** DOOR PANEL

HARDWARE TABLE	
MANUFACTURER	MODEL
KWIKSET	KNOB: Signature Series
	DEADBOLT: Signature Series (980)
SCHLAGE	KNOB: F Series (F51)
	DEADBOLT: B Series (B60N)

FIBERGLASS DOOR SKIN: MIN. 0.080" THK.  
CORE MATERIAL: POLYURETHANE FOAM (1.9 PCF MIN.)



**2**  
**2** VERTICAL CROSS SECTION

Documents Prepared By: *LFS*  
 Lyndon F. Schmidt  
 P.E. No. 43409

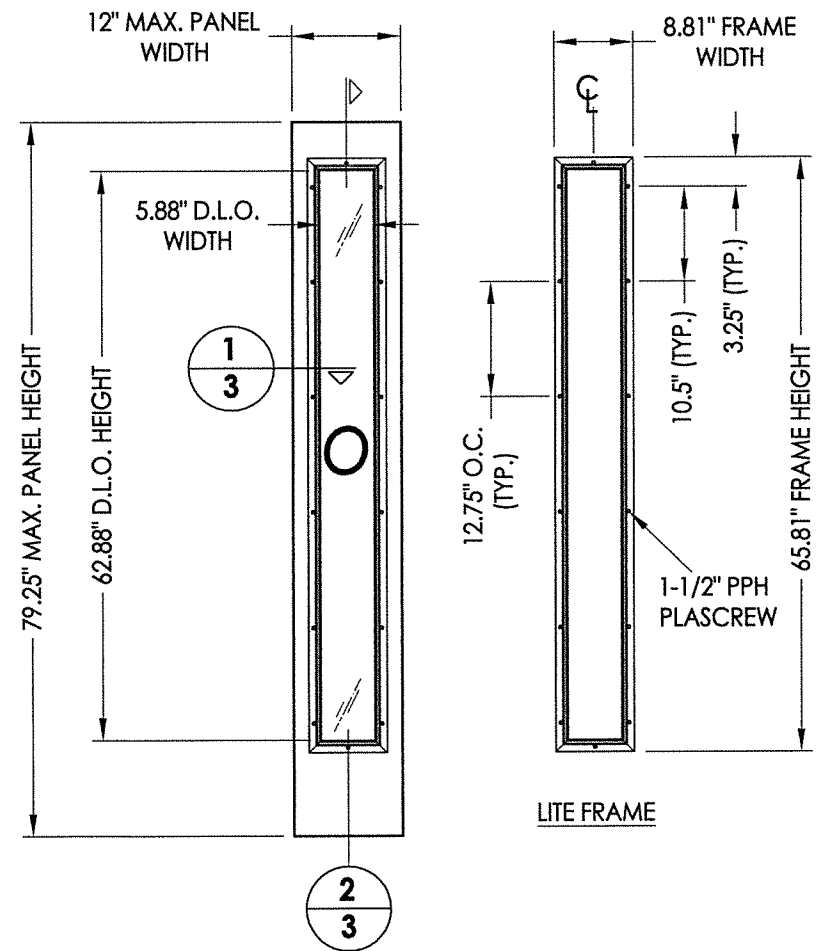
*RW*  
 BUILDING CONSULTANTS, INC.  
 P.O. Box 230, Vairico, FL 33595  
 Phone No.: 813.659.9197  
 FBPE C.A. No. 9813

PRODUCT: SURE ROCK FIBERGLASS DOORS  
 PART OR ASSEMBLY: DOOR PANEL DETAILS

NO.	DATE	BY

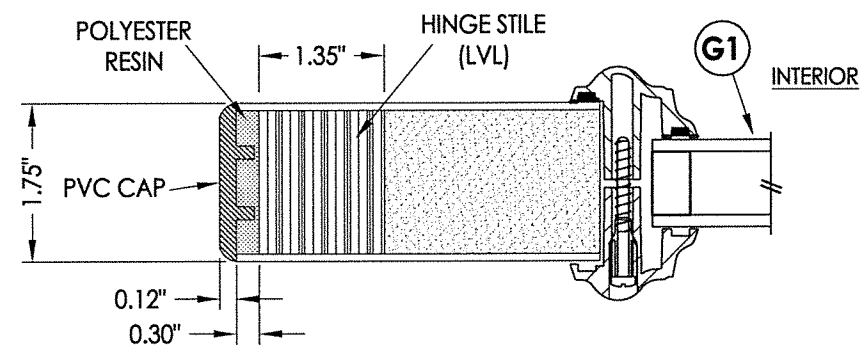
DATE: 5/17/16  
 SCALE: N.T.S.  
 DWG. BY: JK  
 CHK. BY: LFS  
 DRAWING NO.: FL-20474.2  
 SHEET 2 OF 11

R:\Clients\HM Sure Rock PERMANENTVA - Florida Product Approvals\FL-20474\C - Drawings\FL-20474 (2014)\FL-20474.1-3.dwg, 3.2

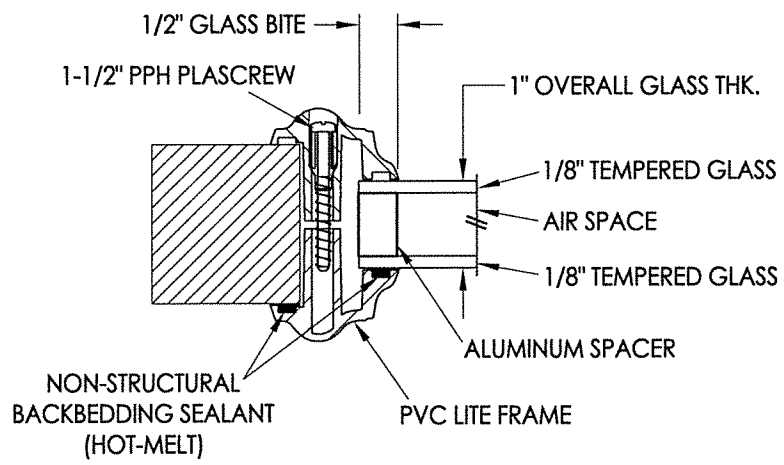


**40 SIDELITE PANEL**

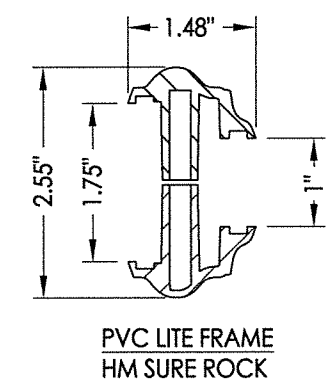
FIBERGLASS SIDELITE SKIN: MIN. 0.070\"/>



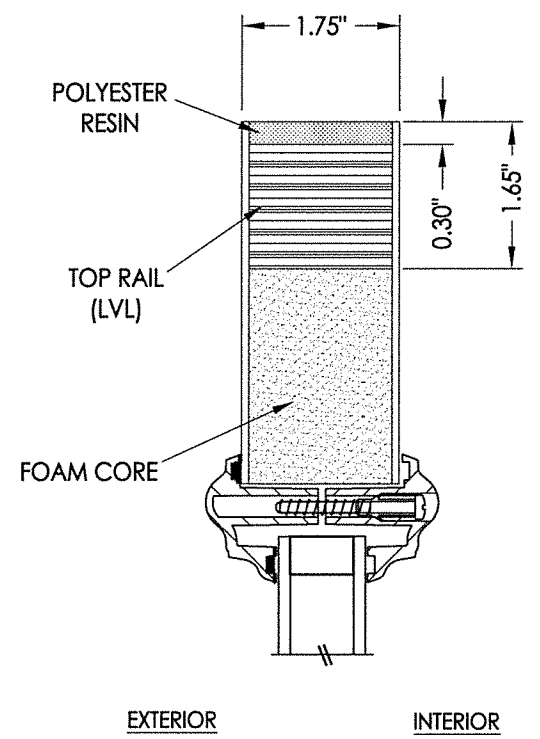
**1 HORIZONTAL CROSS SECTION**



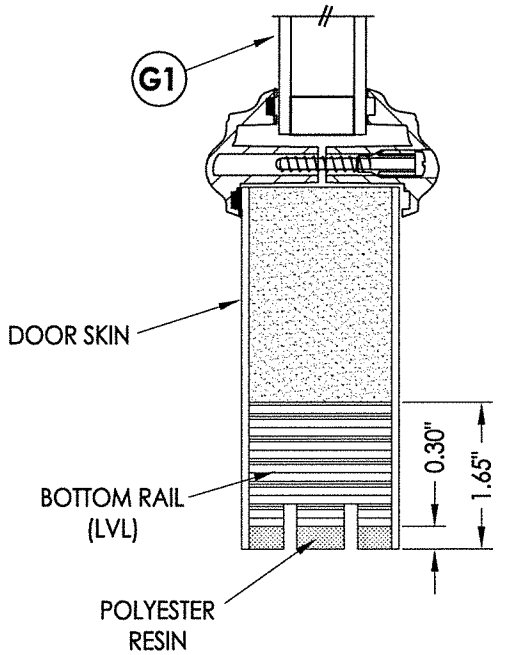
**G1 GLAZING DETAIL**



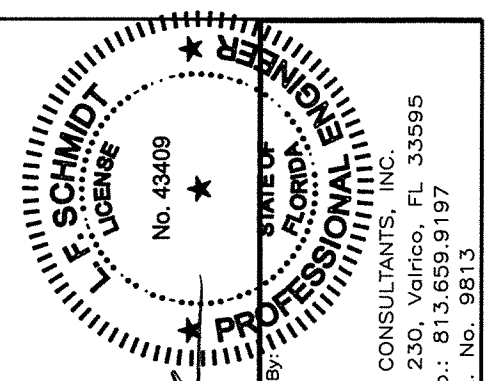
**PVC LITE FRAME HM SURE ROCK**



**2 VERTICAL CROSS SECTION**



**2 VERTICAL CROSS SECTION**



*LFS*  
*6.6.16*

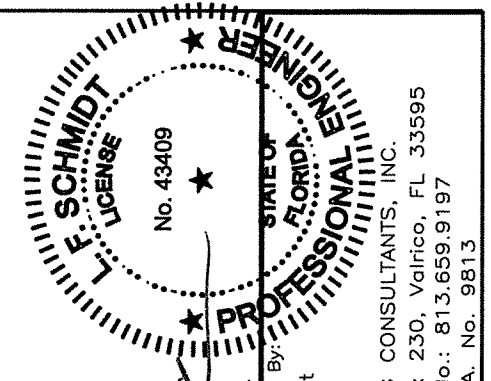
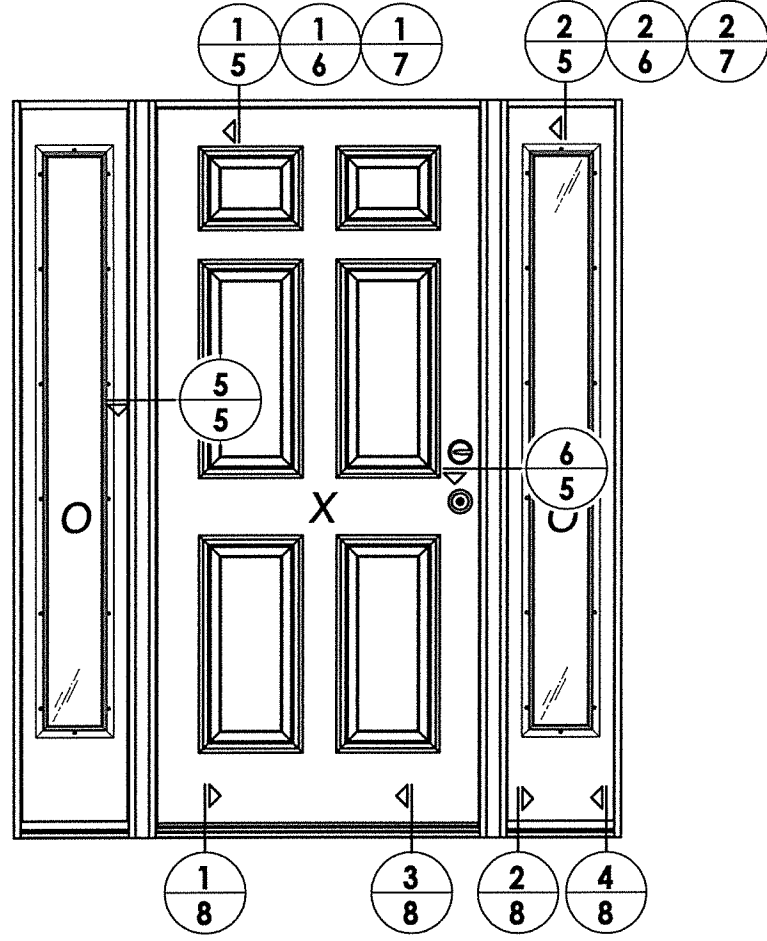
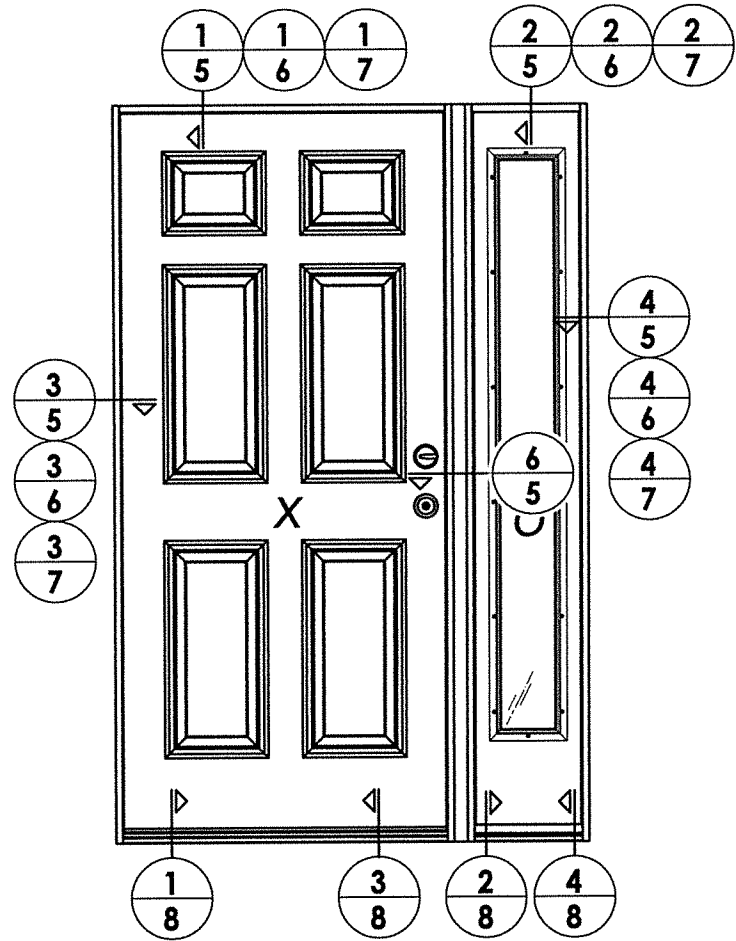
Documents Prepared By:  
Lyndon F. Schmidt  
P.E. No. 43409

*RW* BUILDING CONSULTANTS, INC.  
P.O. Box 230, Valrico, FL 33595  
Phone No.: 813.659.9197  
FBPE C.A. No. 9813

PRODUCT:	SURE ROCK FIBERGLASS DOORS
PART OR ASSEMBLY:	SIDELITE PANEL DETAILS

NO.	DATE	BY

DATE:	5/17/16
SCALE:	N.T.S.
DWG. BY:	JK
CHK. BY:	LFS
DRAWING NO.:	FL-20474.2
SHEET	3 OF 11



Documents Prepared By:  
 Lyndon F. Schmidt  
 P.E. No. 43409

*R.W.* BUILDING CONSULTANTS, INC.  
 P.O. Box 230, Valrico, FL 33595  
 Phone No.: 813.659.9197  
 FBPE C.A. No. 9813

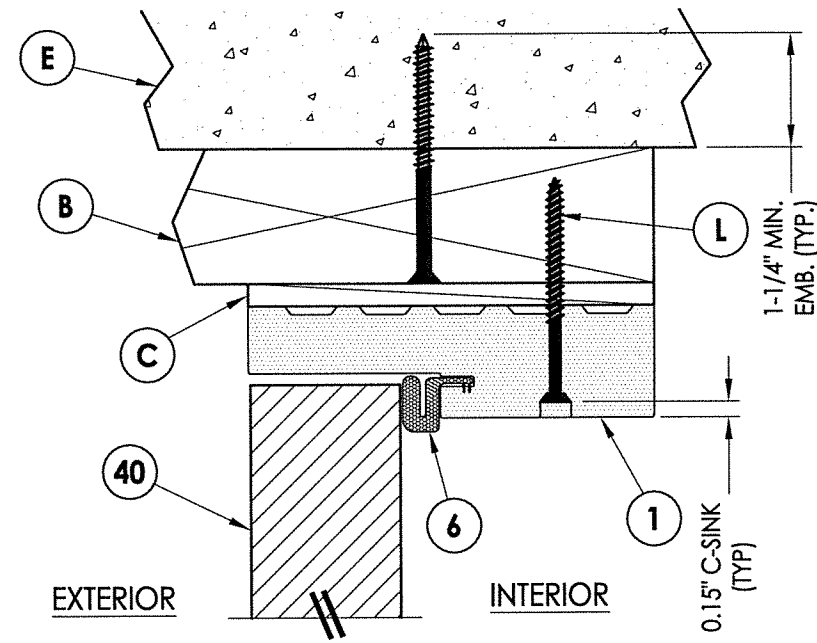
PRODUCT:  
 SURE ROCK  
 FIBERGLASS DOORS

PART OR ASSEMBLY:  
 ELEVATIONS

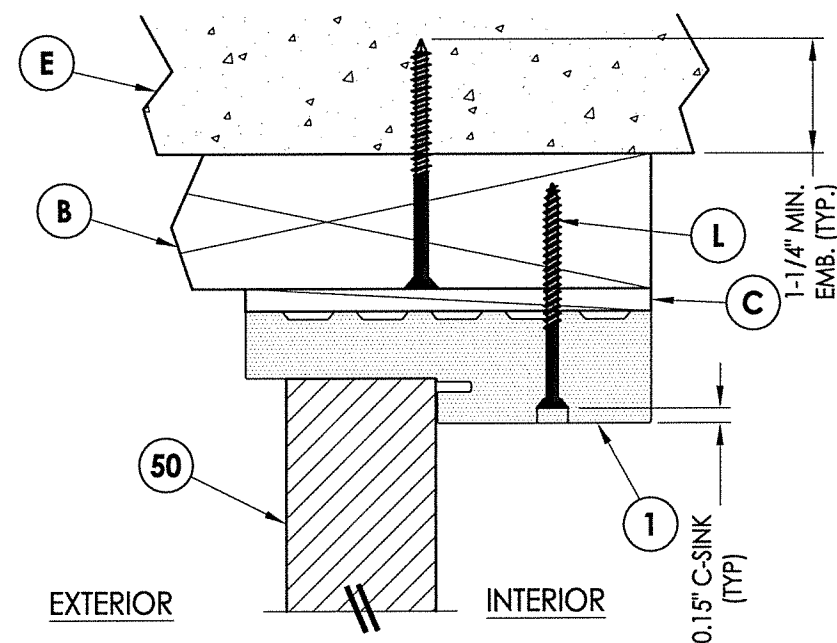
NO.	DATE	BY

DATE: 5/17/16  
 SCALE: N.T.S.  
 DWG. BY: JK  
 CHK. BY: LFS  
 DRAWING NO.:  
 FL-20474.2  
 SHEET 4 OF 11

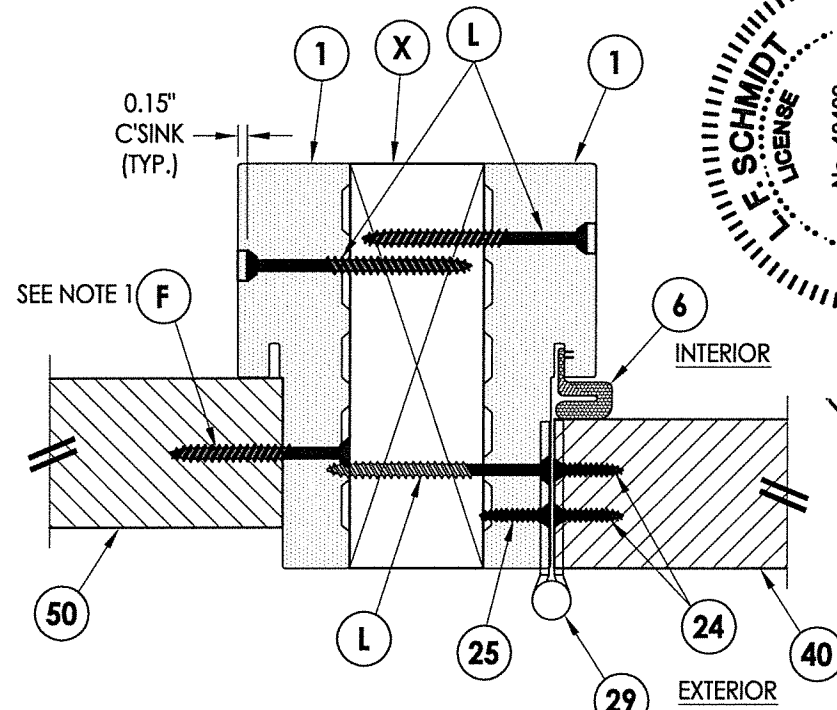
R:\Clients\HM Sure Rock PERMANENTVA - Florida Product Approvals\FL-20474\C - Drawings\FL-20474 (2014)\FL-20474.1-3.dwg, 5.2



**1** VERTICAL CROSS SECTION  
**5** Outswing shown (Inswing similar)

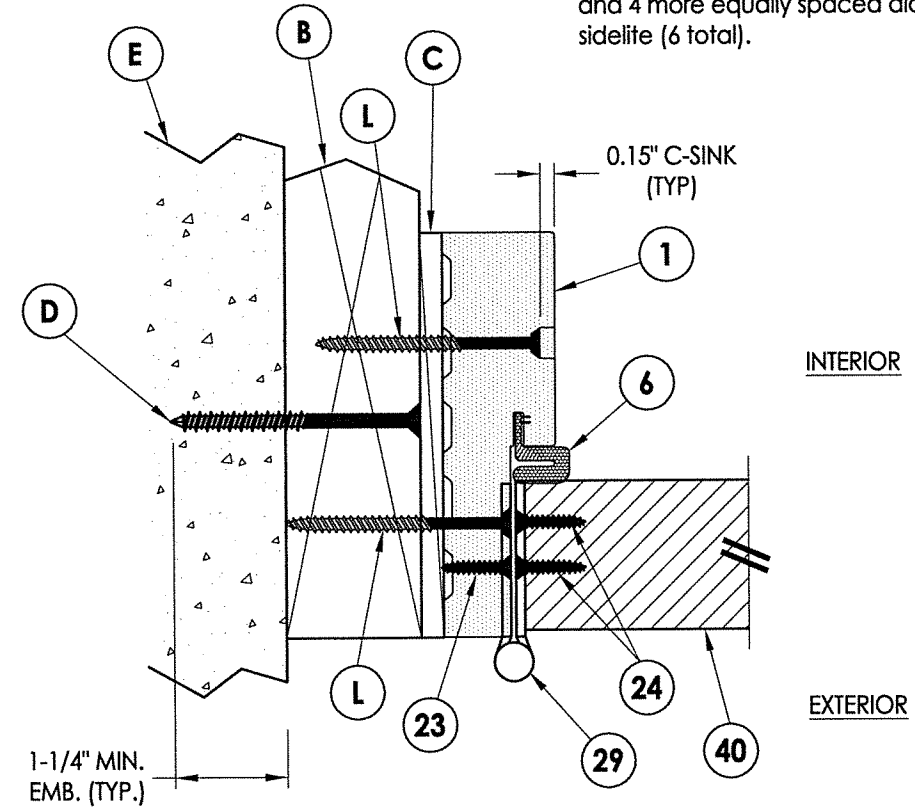


**2** VERTICAL CROSS SECTION  
**5** Outswing shown (Inswing similar)

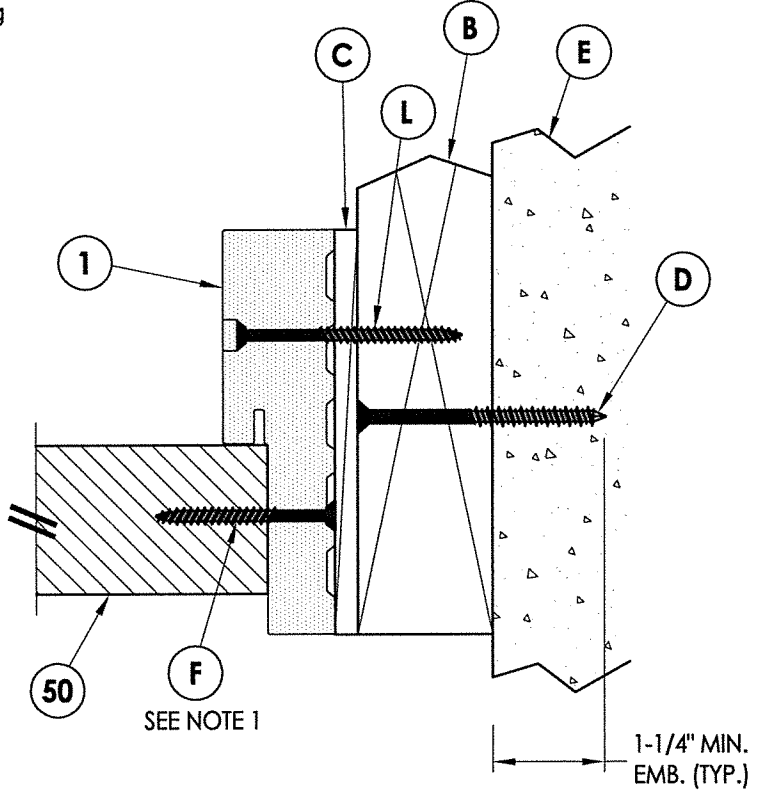


**5** HORIZONTAL CROSS SECTION  
**5** Outswing shown (Inswing similar)

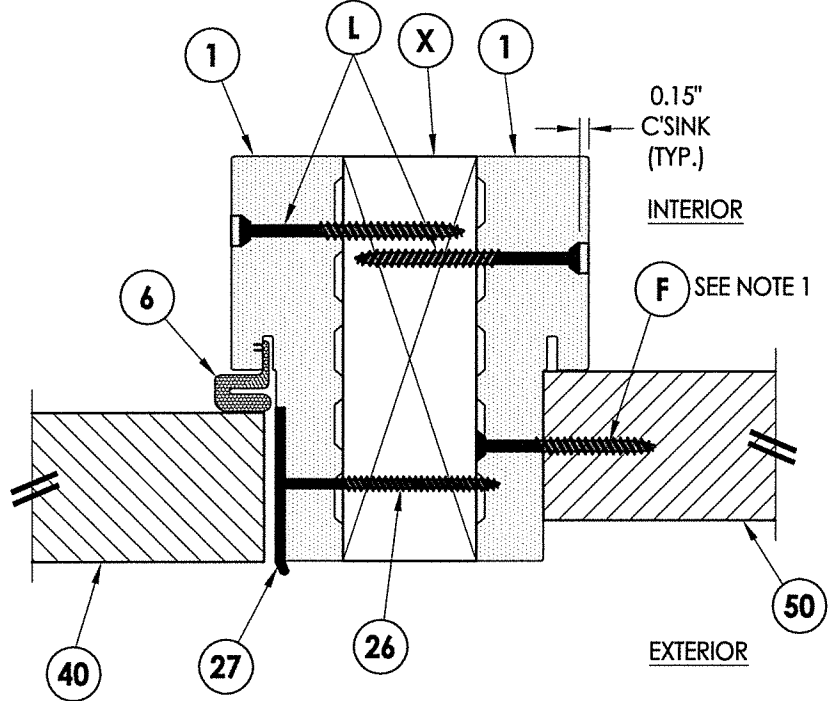
NOTE:  
1. Spacing for item F: 6" from ends and 4 more equally spaced along sidelite (6 total).



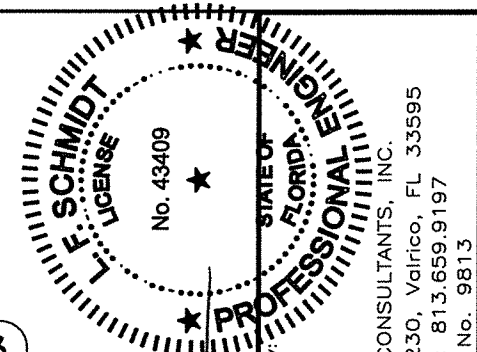
**3** HORIZONTAL CROSS SECTION  
**5** Outswing shown (Inswing similar)



**4** HORIZONTAL CROSS SECTION  
**5** Outswing shown (Inswing similar)



**6** HORIZONTAL CROSS SECTION  
**5** Outswing shown (Inswing similar)



Documents Prepared By:  
Lyndon F. Schmidt  
P.E. No. 43409  
R.W. BUILDING CONSULTANTS, INC.  
P.O. Box 230, Vairico, FL 33595  
Phone No.: 813.659.9197  
FBPE C.A. No. 9813

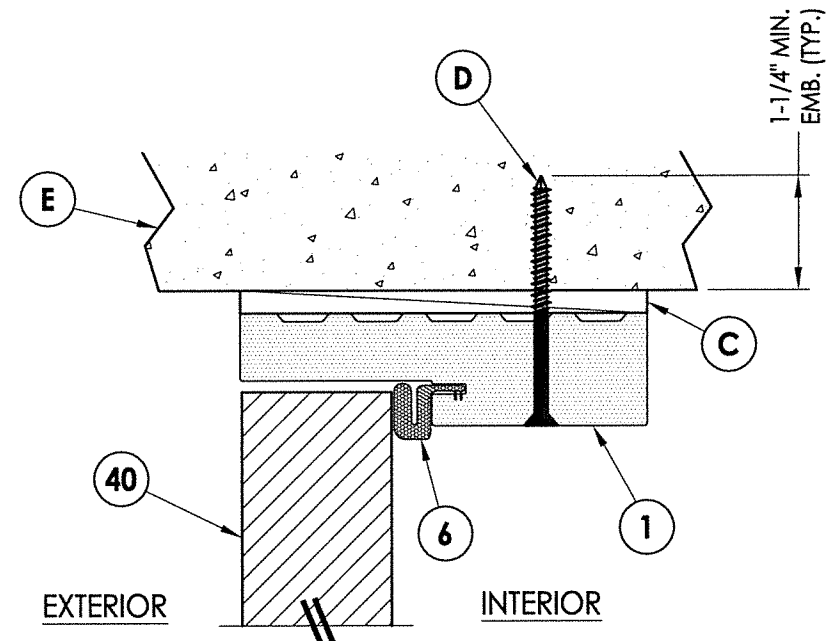
PRODUCT:  
SURE ROCK  
FIBERGLASS DOORS  
PART OR ASSEMBLY:  
HORIZONTAL & VERTICAL  
CROSS SECTIONS (2X BUCK)

NO.	DATE	BY

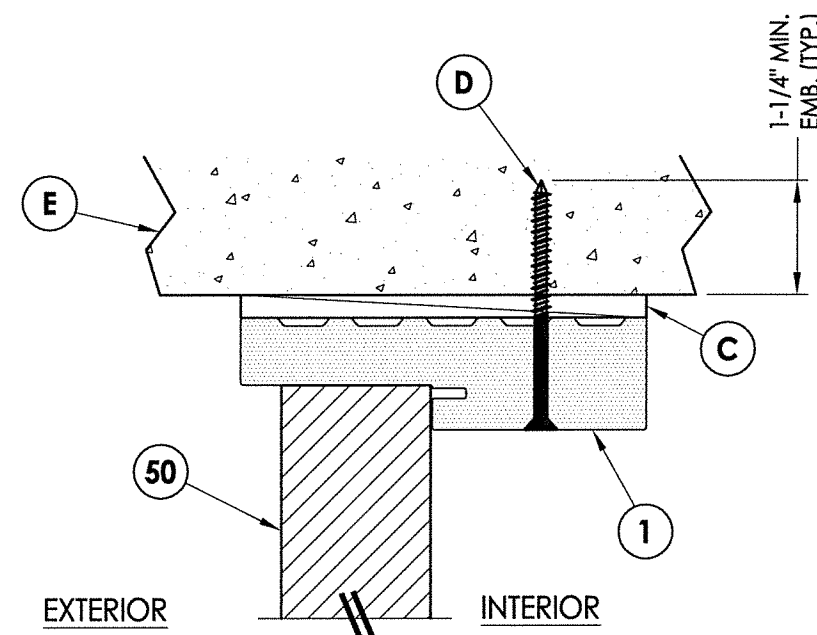
DATE: 5/17/16  
SCALE: N.T.S.  
DWG. BY: JK  
CHK. BY: LFS  
DRAWING NO.: FL-20474.2  
SHEET 5 OF 11

© 2016 R.W. BUILDING CONSULTANTS INC.



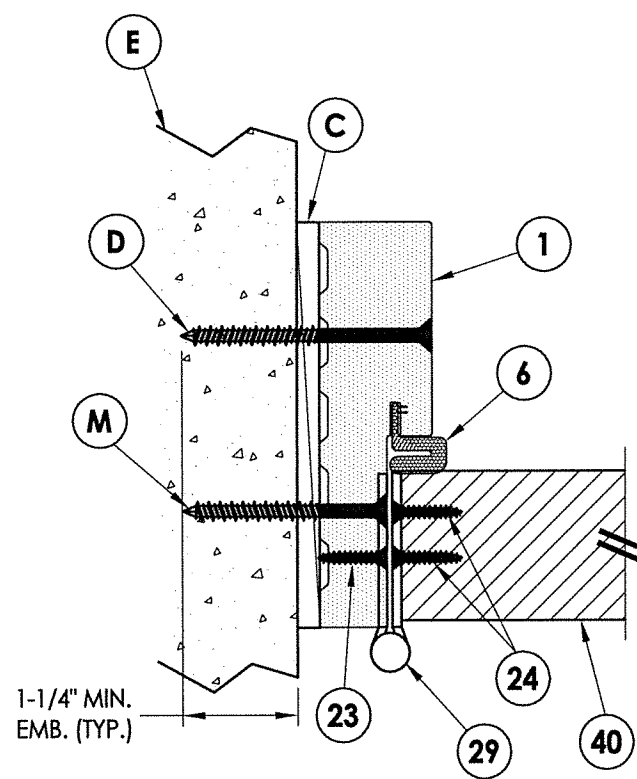


**1** VERTICAL CROSS SECTION  
**7** Outswing shown (Inswing similar)



**2** VERTICAL CROSS SECTION  
**7** Outswing shown (Inswing similar)

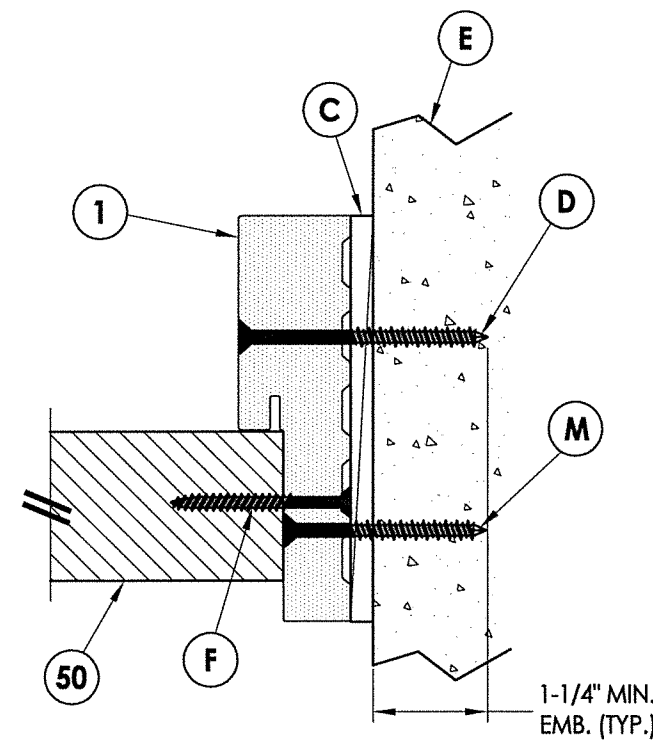
NOTE:  
 1. Spacing for item F: 6" from ends and 4 more equally spaced along sidelite (6 total).



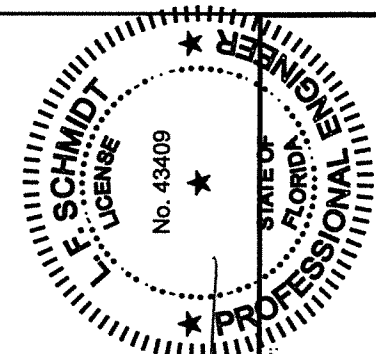
**3** HORIZONTAL CROSS SECTION  
**7** Outswing shown (Inswing similar)

INTERIOR

EXTERIOR



**4** HORIZONTAL CROSS SECTION  
**7** Outswing shown (Inswing similar)



*LFS*  
*G.E.G.*

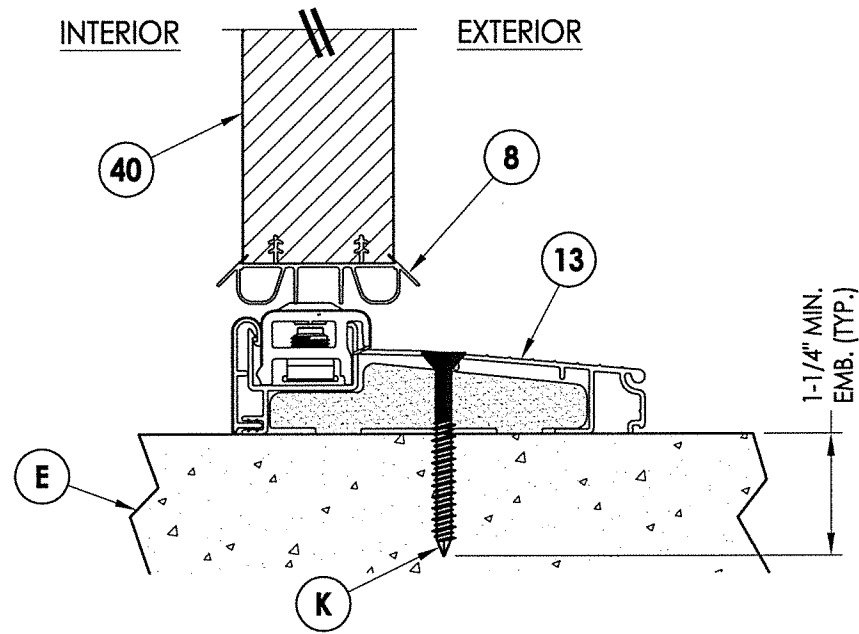
Documents Prepared By:  
 Lyndon F. Schmidt  
 P.E. No. 43409

*RW* BUILDING CONSULTANTS, INC.  
 P.O. Box 230, Valrico, FL 33595  
 Phone No.: 813.659.9197  
 FBPE C.A. No. 9813

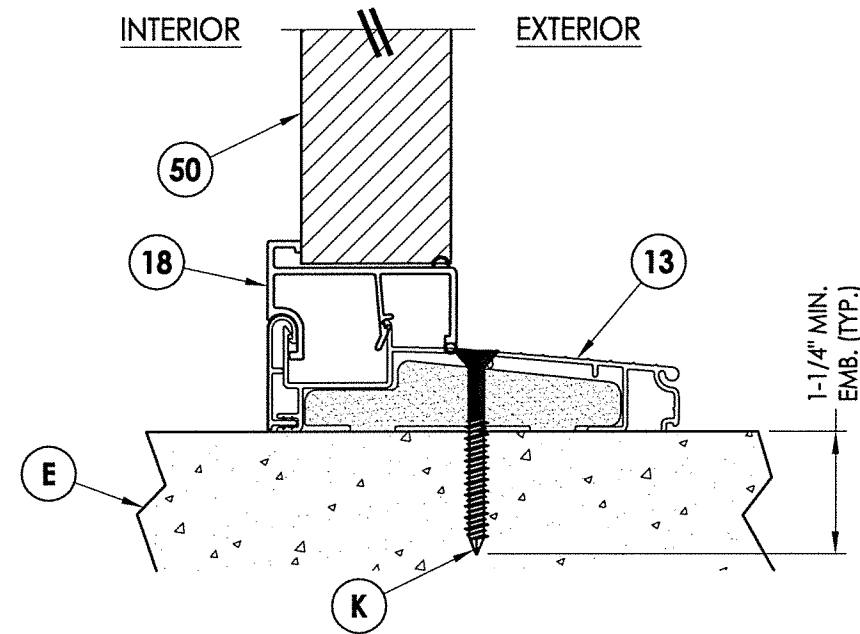
PRODUCT: SURE ROCK FIBERGLASS DOORS  
 PART OR ASSEMBLY: HORIZONTAL & VERTICAL CROSS SECTIONS (DIRECT TO MASONRY)

NO.	DATE	BY	REVISIONS

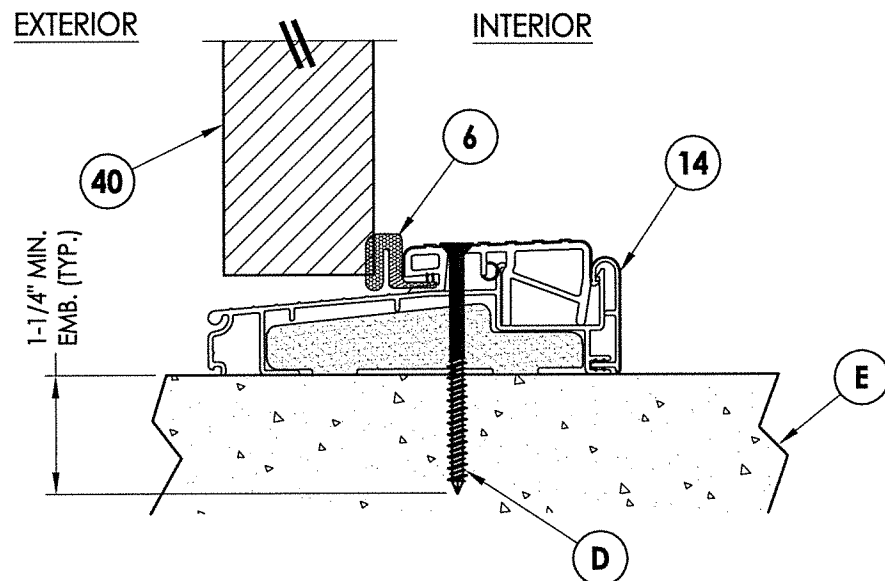
DATE: 5/17/16  
 SCALE: N.T.S.  
 DWG. BY: JK  
 CHK. BY: LFS  
 DRAWING NO.: FL-20474.2  
 SHEET 7 OF 11



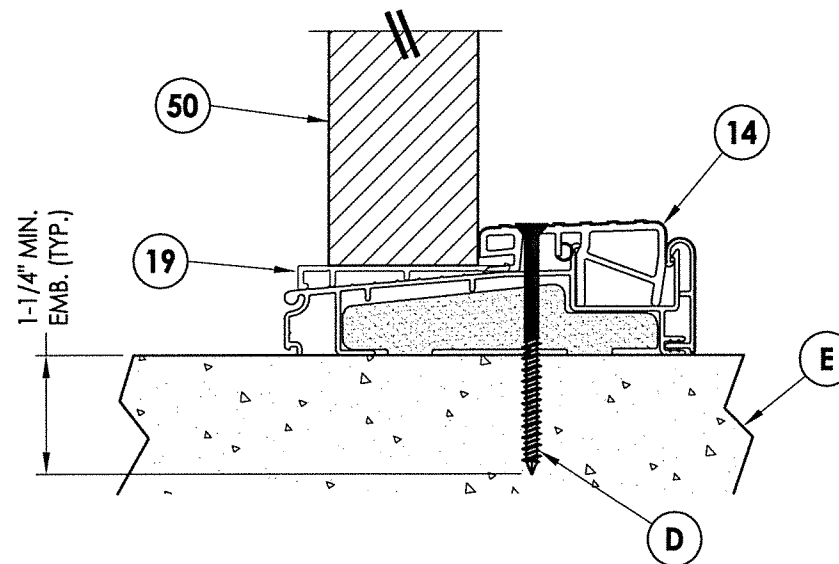
**1** VERTICAL CROSS SECTION  
**8** Inswing Threshold



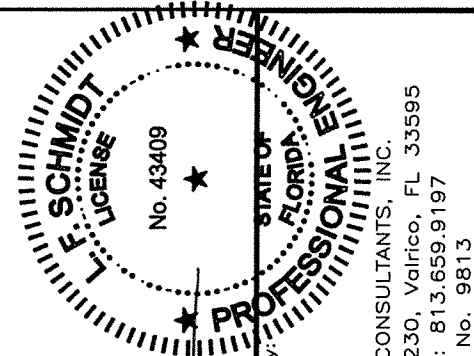
**3** VERTICAL CROSS SECTION  
**8** Inswing Threshold



**2** VERTICAL CROSS SECTION  
**8** Outswing Threshold



**4** VERTICAL CROSS SECTION  
**8** Outswing Threshold



Documents Prepared By:  
Lyndon F. Schmidt  
P.E. No. 4-3409

*RW* BUILDING CONSULTANTS, INC.  
P.O. Box 230, Vairico, FL 33595  
Phone No.: 813.659.9197  
FBPE C.A. No. 9813

PRODUCT: SURE ROCK FIBERGLASS DOORS  
PART OR ASSEMBLY: VERTICAL CROSS SECTIONS (THRESHOLDS)

REVISIONS	
NO.	DATE

DATE: 5/17/16  
SCALE: N.T.S.  
DWG. BY: JK  
CHK. BY: LFS  
DRAWING NO.: FL-20474.2  
SHEET 8 of 11

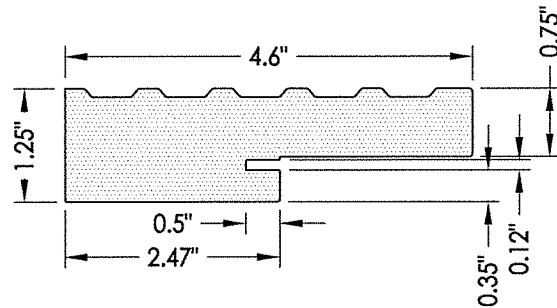




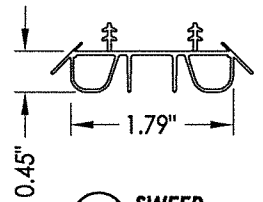


R:\Clients\HM Sure Rock PERMANENT\A - Florida Product Approvals\FL-20474\C - Drawings\FL-20474.1-3.dwg, 11.2

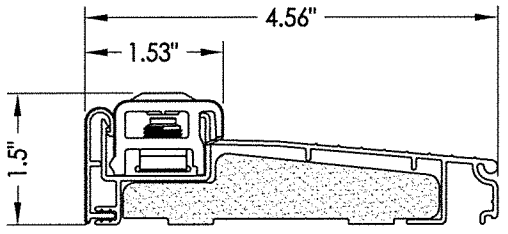
BILL OF MATERIALS		
ITEM #	DESCRIPTION	MATERIAL
A	1X BUCK (SG >= 0.42)	WOOD
B	2X BUCK (SG >= 0.42)	WOOD
C	1/4" MAX. SHIM SPACE	-
D	1/4" X 2-3/4" PFH ELCO OR ITW CONCRETE SCREW	STEEL
E	MASONRY - 3,000 PSI MIN. CONCRETE CONFORMING TO ACI 301 OR HOLLOW BLOCK CONFORMING TO ASTM C90	CONCRETE
G	3/16" X 3-1/4" PFH ITW CONCRETE SCREW	STEEL
J	1/4" X 3-3/4" PFH ELCO OR ITW CONCRETE SCREW	STEEL
K	1/4" X 2-1/4" PFH ELCO OR ITW CONCRETE SCREW	STEEL
L	#10 X 2-1/2" PFH WOOD SCREW (1.15" MIN. EMBEDMENT)	STEEL
M	3/16" X 2-1/4" PFH ITW CONCRETE SCREW	STEEL
X	2X REINFORCEMENT (SG >= 0.55)	WOOD
1	FRAME (SURE JAMB)	COMP
6	WEATHERSTRIP (Q-LON)	FOAM
8	SWEEP	VINYL
13	INSWING THRESHOLD	ALUM/COMP
14	OUTSWING THRESHOLD	ALUM/COMP
18	INSWING SIDELITE SPACER	PVC
19	OUTSWING SIDELITE SPACER	PVC
23	#10 x 3/4" PFH WOOD SCREW	STEEL
24	#10 x 1" PFH WOOD SCREW	STEEL
25	#8 x 2-1/2" PFH WOOD SCREW	STEEL
27	LATCH STRIKE PLATE	STEEL
28	DEADBOLT STRIKE PLATE	STEEL
29	4" X 4" HINGE	STEEL
40	DOOR PANEL	-



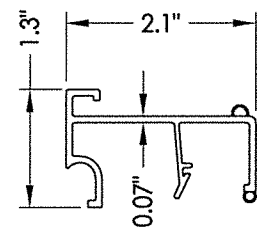
1 FRAME SURE JAMB



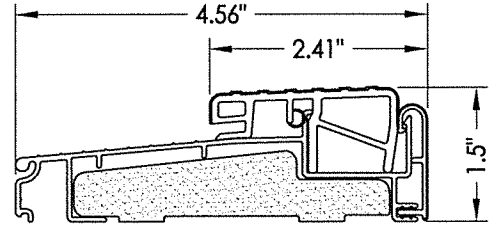
8 SWEEP



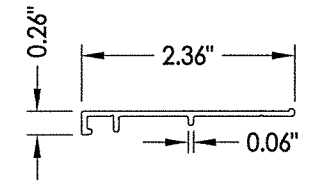
13 INSWING THRESHOLD ENDURA (Z-SERIES)



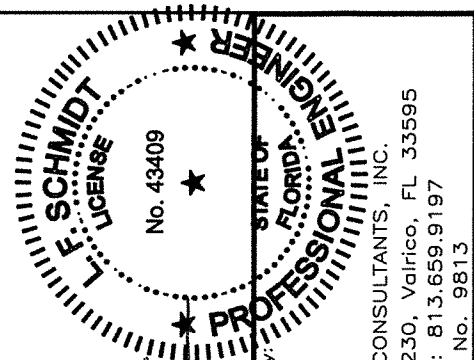
18 INSWING SIDELITE SPACER



14 OUTSWING THRESHOLD ENDURA (Z-SERIES)



19 OUTSWING SIDELITE SPACER



6-6-16

Documents Prepared By:  
Lyndon F. Schmidt  
P.E. No. 43409

R.W.  
BUILDING CONSULTANTS, INC.  
P.O. Box 230, Vairico, FL 33595  
Phone No.: 813.659.9197  
FBPE C.A. No. 9813

PRODUCT:	SURE ROCK FIBERGLASS DOORS
PART OR ASSEMBLY:	BILL OF MATERIALS & COMPONENTS

NO.	DATE	BY	REVISIONS

DATE:	5/17/16
SCALE:	N.T.S.
DWG. BY:	JK
CHK. BY:	LFS
DRAWING NO.:	FL-20474.2
SHEET	11 OF 11