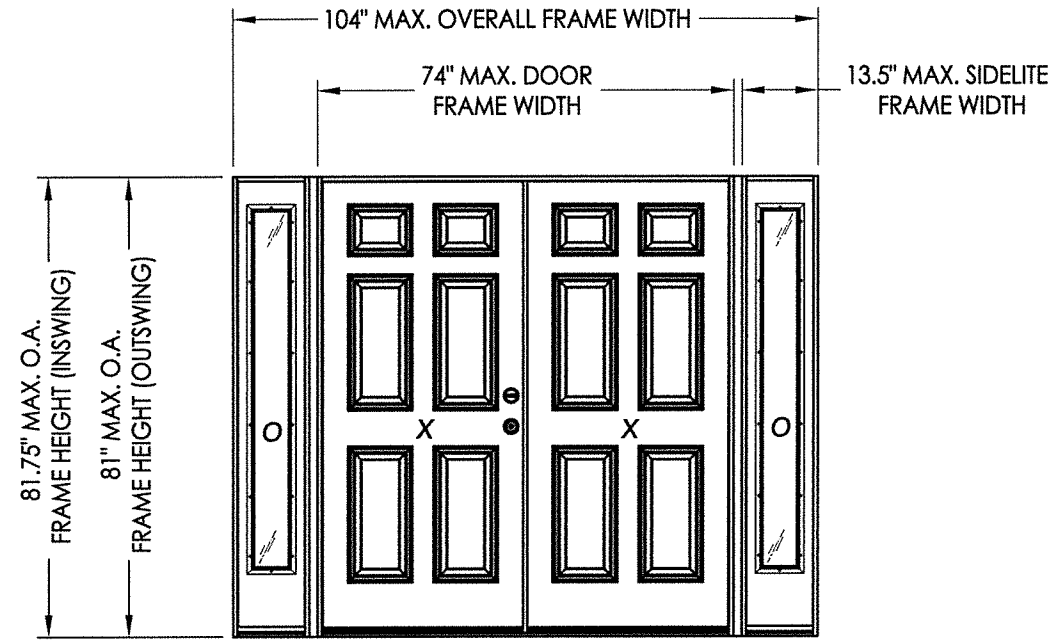
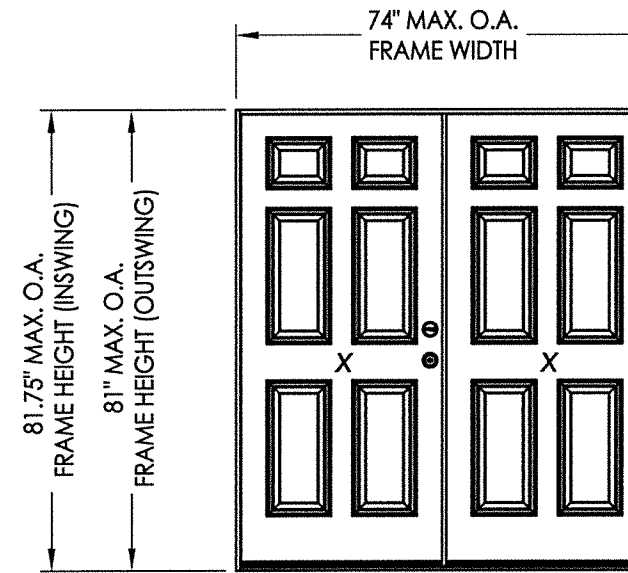




## SURE ROCK OPAQUE FIBERGLASS ENTRY DOORS INSWING / OUTSWING "NON-IMPACT"



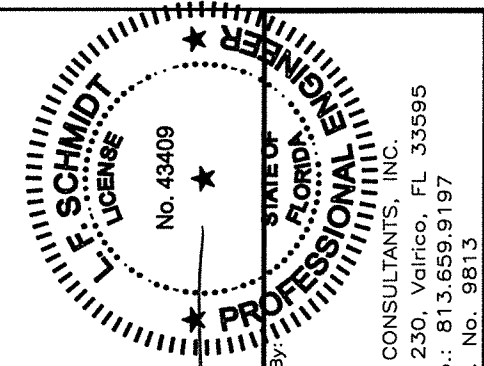
### GENERAL NOTES

1. This product has been evaluated and is in compliance with the 5th Edition (2014) Florida Building Code (FBC) structural requirements excluding the "High Velocity Hurricane Zone" (HVHZ).
2. Product anchors shall be as listed and spaced as shown on details. Anchor embedment to base material shall be beyond wall dressing or stucco.
3. When used in areas requiring wind borne debris protection, this product is required to be protected with an impact resistant covering that complies with Section 1609.1.2 of the FBC.
4. For 2x stud framing construction, anchoring of these units shall be the same as that shown for 2x buck masonry construction.
5. Site conditions that deviate from the details of this drawing require further engineering analysis by a licensed engineer or registered architect.

### TABLE OF CONTENTS

SHEET #	DESCRIPTION
1	Typical Elevations, Design Pressures & General Notes
2	Door Panel Details
3	Sidelite Panel Details
4	Elevations
5	Vertical & Horizontal Cross Sections (2X Buck)
6	Vertical & Horizontal Cross Sections (1X Buck)
7	Vertical & Horizontal Cross Sections (Direct to Masonry)
8	Vertical Cross Sections (Thresholds)
9	Buck Anchoring
10	Frame Anchoring & Hardware Details
11	Bill of Materials & Components

CONFIGURATION	MAX. FRAME DIMENSION	REINFORCEMENT	DESIGN PRESSURE (PSF) INSWING		DESIGN PRESSURE (PSF) OUTSWING	
			POSITIVE	NEGATIVE	POSITIVE	NEGATIVE
XX	74.0" x 81.75"	N/A	+60.0	-60.0	+60.0	-60.0
OXXO	101.0" x 81.75"	NONE	+40.0	-40.0	+40.0	-40.0
OXXO	102.5" x 81.75"	1X	+55.0	-55.0	+55.0	-55.0
OXXO	104.0" x 81.75"	2X	+60.0	-60.0	+60.0	-60.0

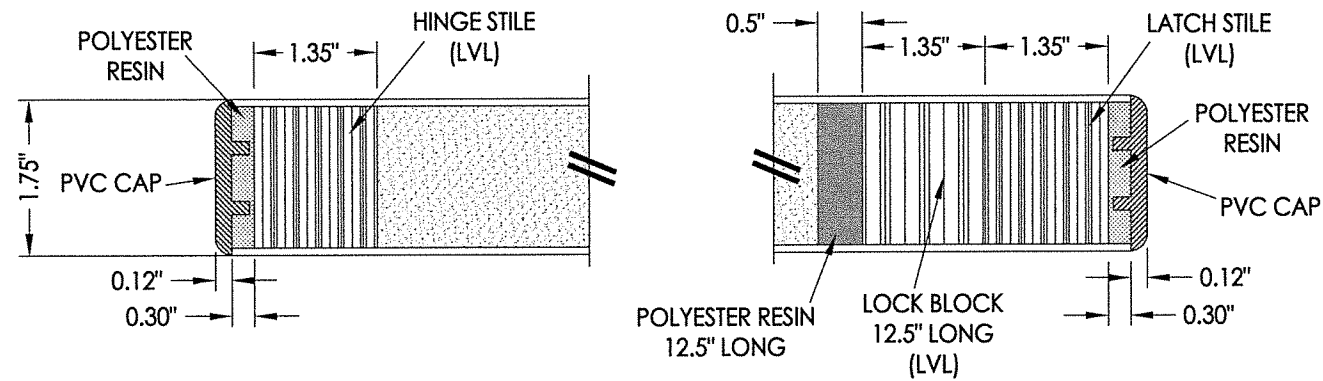


*LFS*  
*G.G.R.*  
 Documents Prepared By:  
 Lyndon F. Schmidt  
 P.E. No. 43409  
 R.W. BUILDING CONSULTANTS, INC.  
 P.O. Box 230, Valrico, FL 33595  
 Phone No.: 813.659.9197  
 FBPE C.A. No. 9813

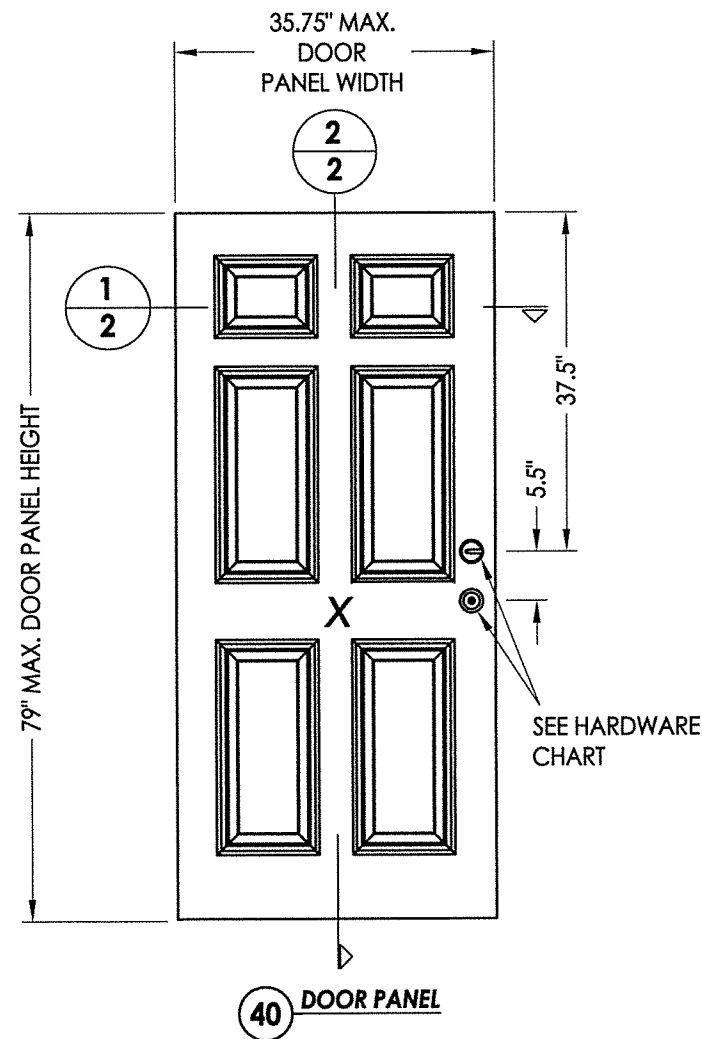
PRODUCT: SURE ROCK FIBERGLASS DOORS  
 PART OR ASSEMBLY: TYPICAL ELEVATION, DESIGN PRESSURES & GENERAL NOTES

REVISIONS		NO.	DATE	BY

DATE: 5/17/16  
 SCALE: N.T.S.  
 DWG. BY: JK  
 CHK. BY: LFS  
 DRAWING NO.: FL-20474.3  
 SHEET 1 OF 11

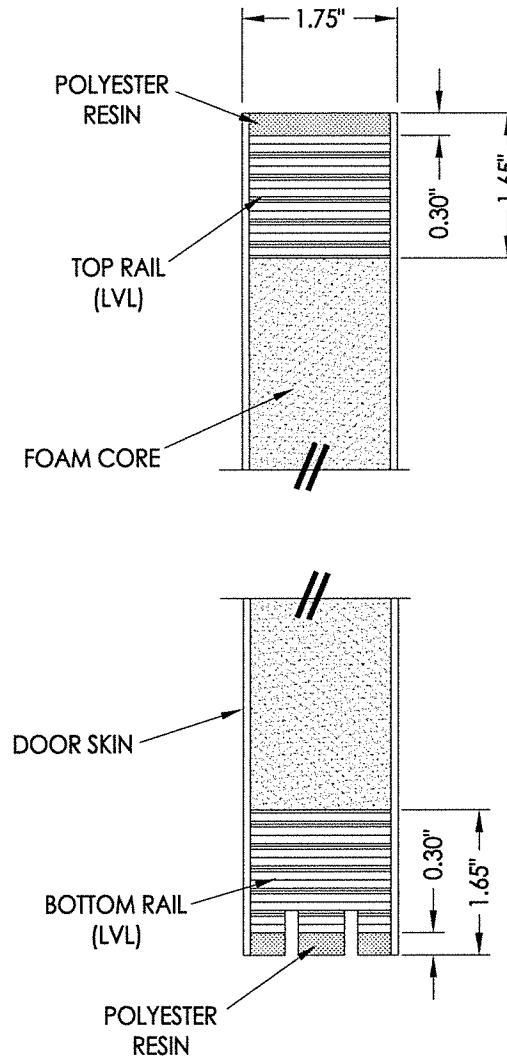


**1**  
**2** HORIZONTAL CROSS SECTION



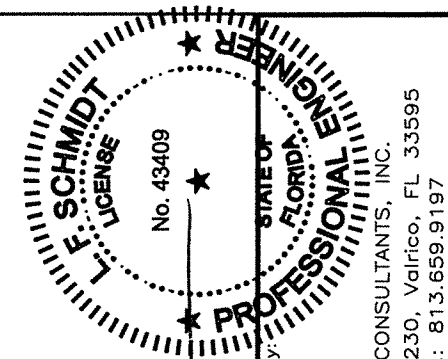
**40** DOOR PANEL

HARDWARE TABLE	
MANUFACTURER	MODEL
KWIKSET	KNOB: Signature Series
	DEADBOLT: Signature Series (980)
SCHLAGE	KNOB: F Series (F51)
	DEADBOLT: B Series (B60N)



**2**  
**2** VERTICAL CROSS SECTION

FIBERGLASS DOOR SKIN: MIN. 0.080" THK.  
CORE MATERIAL: POLYURETHANE FOAM (1.9 PCF MIN.)



Documents Prepared By:  
Lyndon F. Schmidt  
P.E. No. 43409

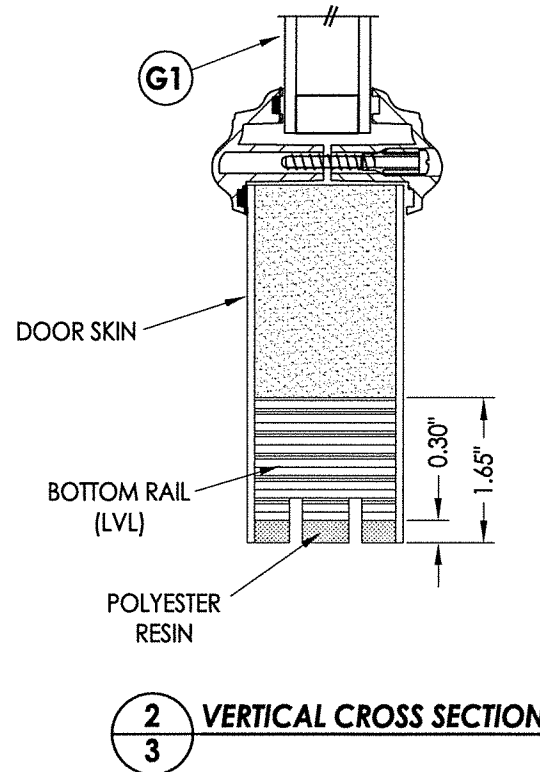
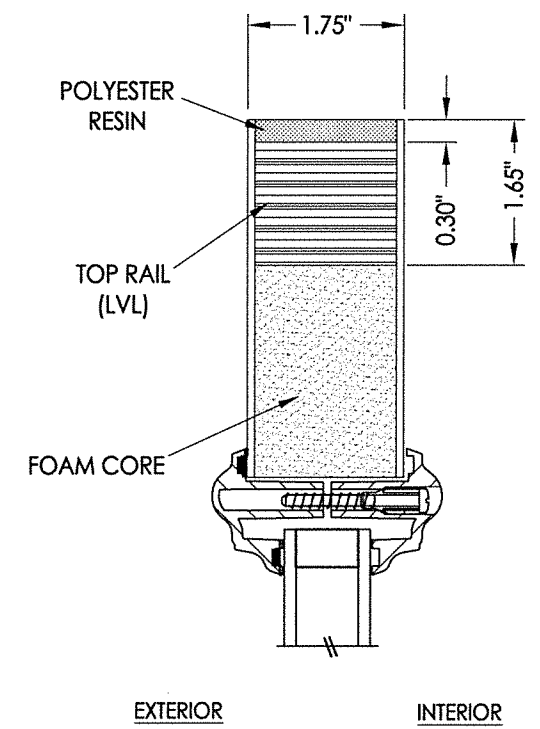
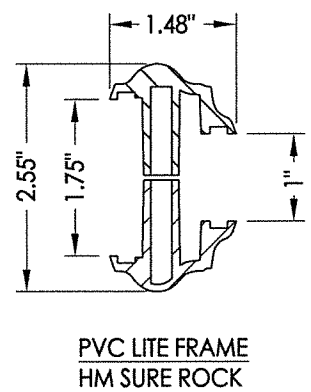
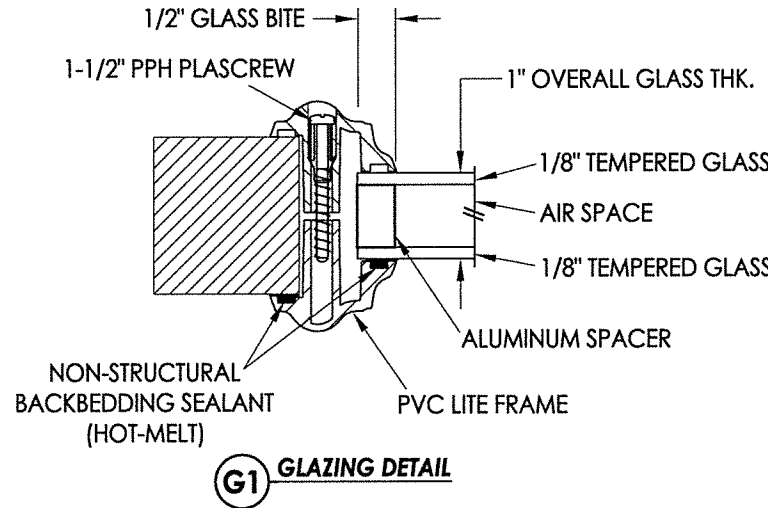
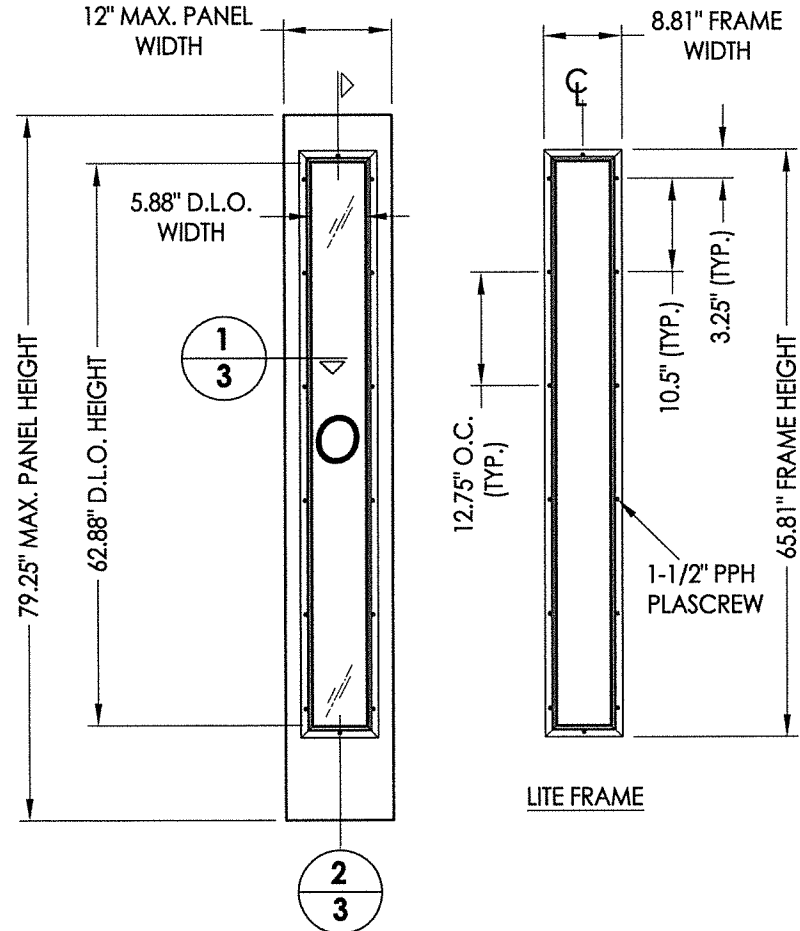
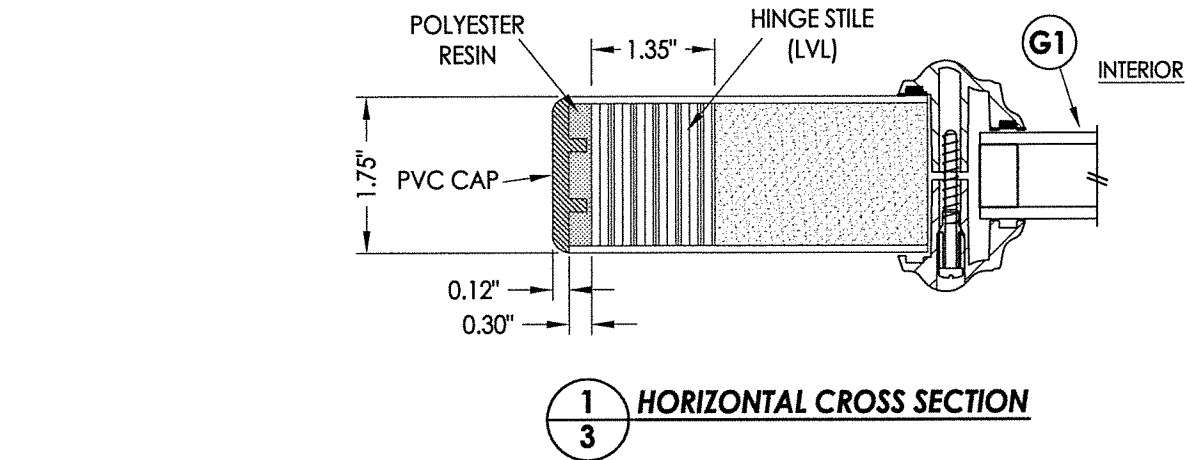
R.W. BUILDING CONSULTANTS, INC.  
P.O. Box 230, Valrico, FL 33595  
Phone No.: 813.659.9197  
FBPE C.A. No. 9813

PRODUCT:	SURE ROCK FIBERGLASS DOORS
PART OR ASSEMBLY:	DOOR PANEL DETAILS

NO.	DATE	BY	REVISIONS

DATE:	5/17/16
SCALE:	N.T.S.
DWG. BY:	JK
CHK. BY:	LFS
DRAWING NO.:	FL-20474.3
SHEET	2 OF 11

R:\Clients\HM Sure Rock PERMANENTVA - Florida Product Approvals\FL-20474\C - Drawings\FL-20474.1-3.dwg, 3.3



**F. SCHMIDT**  
LICENSE  
No. 43409  
STATE OF FLORIDA  
**PROFESSIONAL ENGINEER**

*LFS*  
*6.6.16*

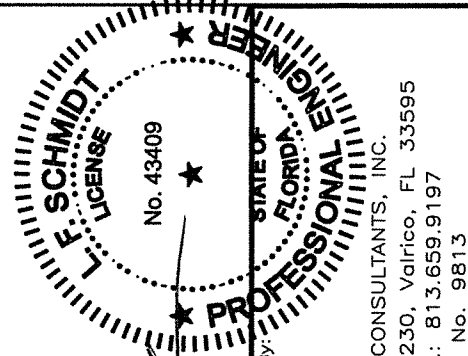
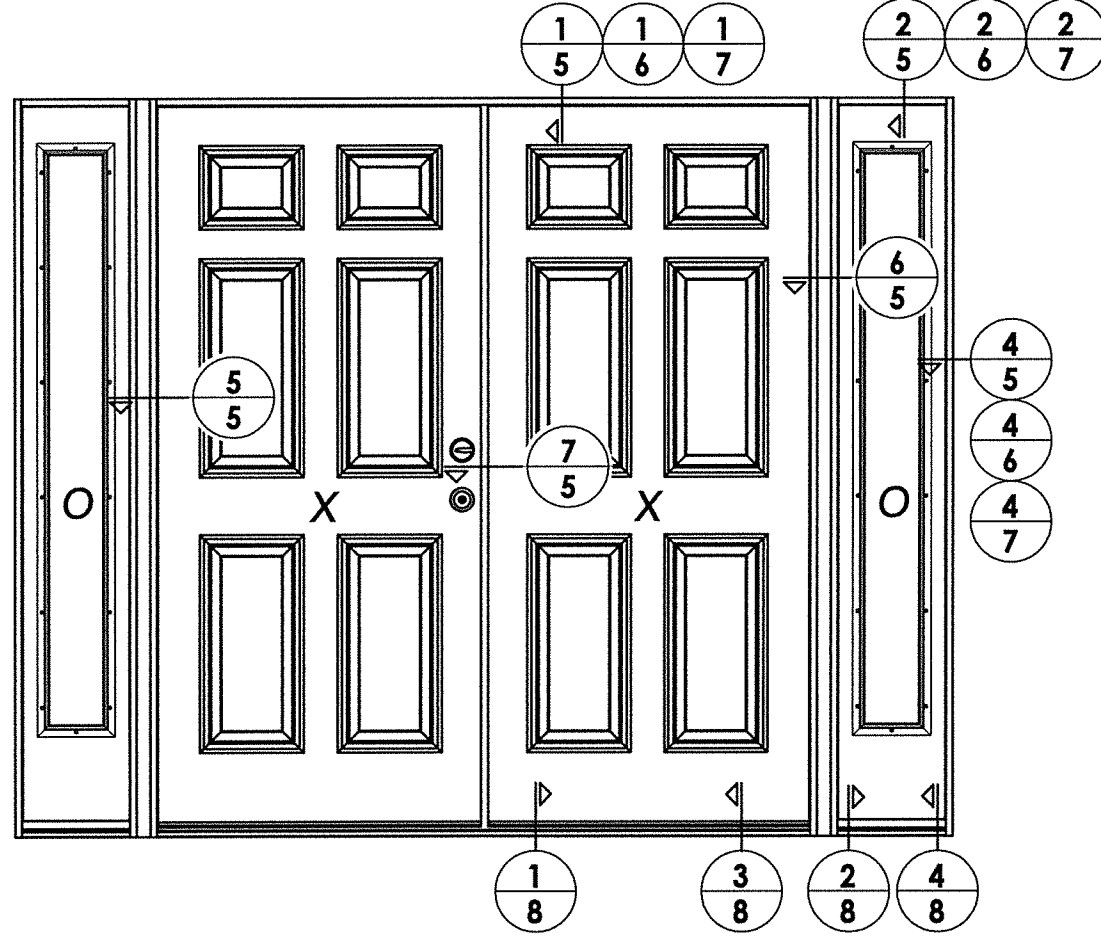
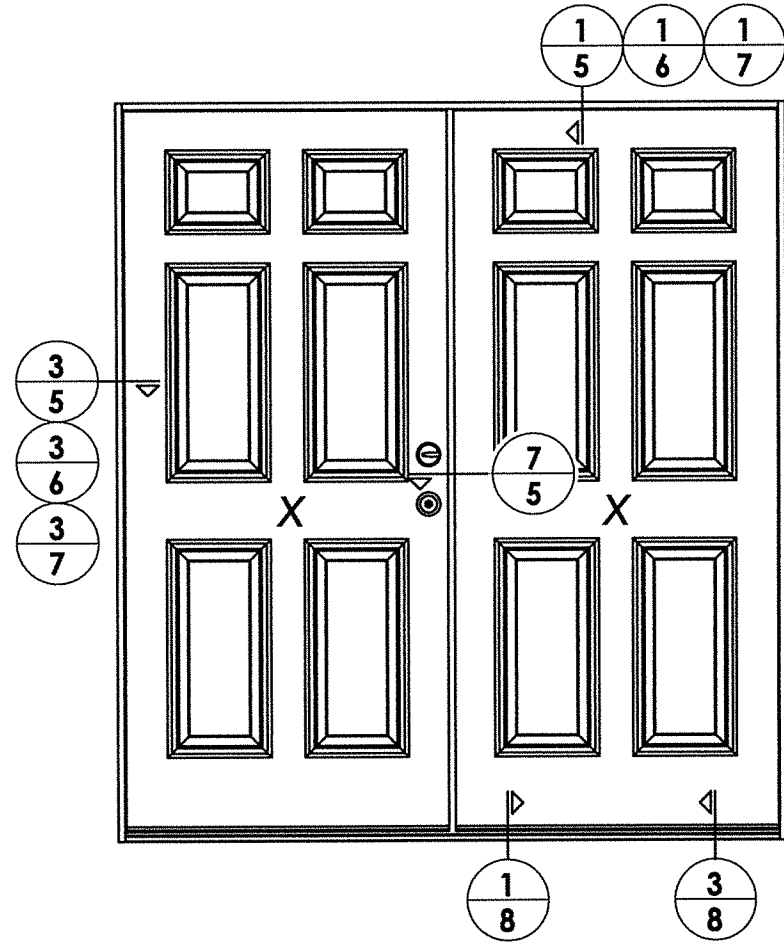
Documents Prepared By:  
Lyndon F. Schmidt  
P.E. No. 43409

*RW*  
BUILDING CONSULTANTS, INC.  
P.O. Box 230, Vairico, FL 33595  
Phone No.: 813.659.9197  
FBPE C.A. No. 9813

PRODUCT: SURE ROCK FIBERGLASS DOORS	
PART OR ASSEMBLY: SIDELITE PANEL DETAILS	
NO.	DATE
BY	
REVISIONS	
DATE: 5/17/16	
SCALE: N.T.S.	
DWG. BY: JK	
CHK. BY: LFS	
DRAWING NO.: FL-20474.3	
SHEET 3 OF 11	

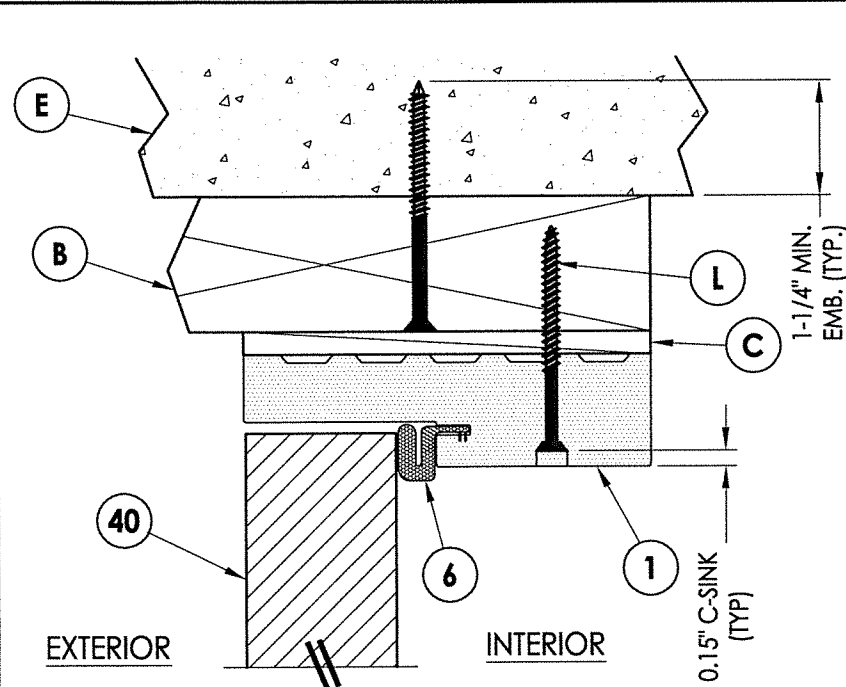
FIBERGLASS SIDELITE SKIN: MIN. 0.070" THK.  
CORE MATERIAL: POLYURETHANE FOAM (1.9 PCF MIN.)

© 2016 R.W. BUILDING CONSULTANTS INC.

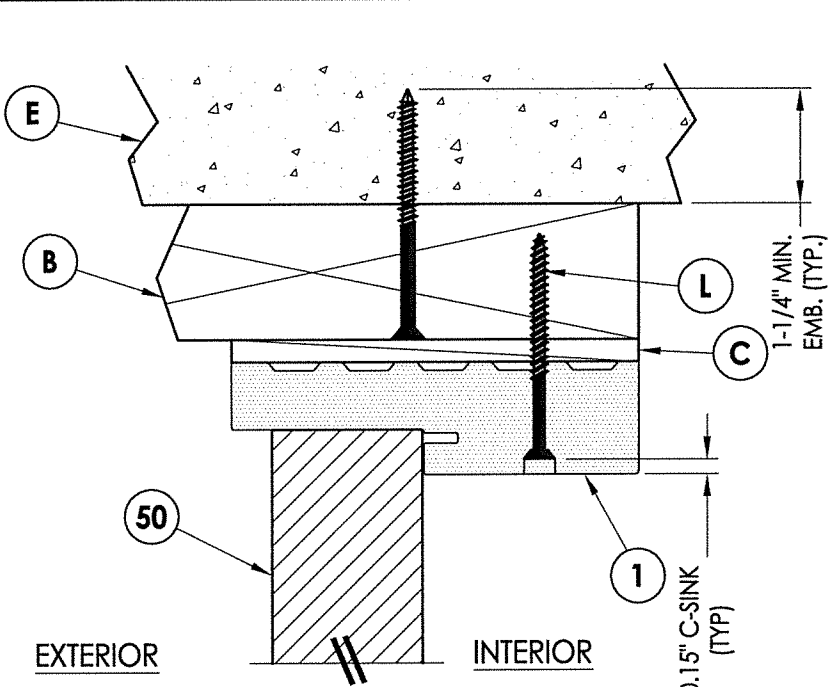


Documents Prepared By:  
 Lyndon F. Schmidt  
 P.E. No. 43409  
 R.W.  
 BUILDING CONSULTANTS, INC.  
 P.O. Box 230, Vairico, FL 33595  
 Phone No.: 813.659.9197  
 FBPE C.A. No. 9813

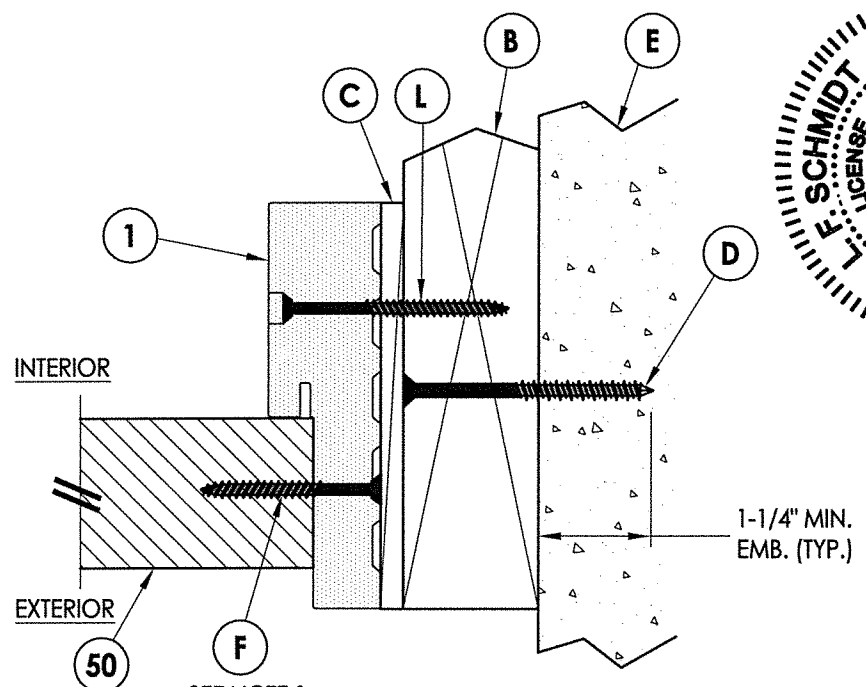
PRODUCT: SURE ROCK FIBERGLASS DOORS	
PART OR ASSEMBLY: ELEVATIONS	
NO.	DATE
BY	
REVISIONS	
DATE: 5/17/16	
SCALE: N.T.S.	
DWG. BY: JK	
CHK. BY: LFS	
DRAWING NO.: FL-20474.3	
SHEET 4 OF 11	



**1** VERTICAL CROSS SECTION  
**5** Outswing shown (Inswing similar)

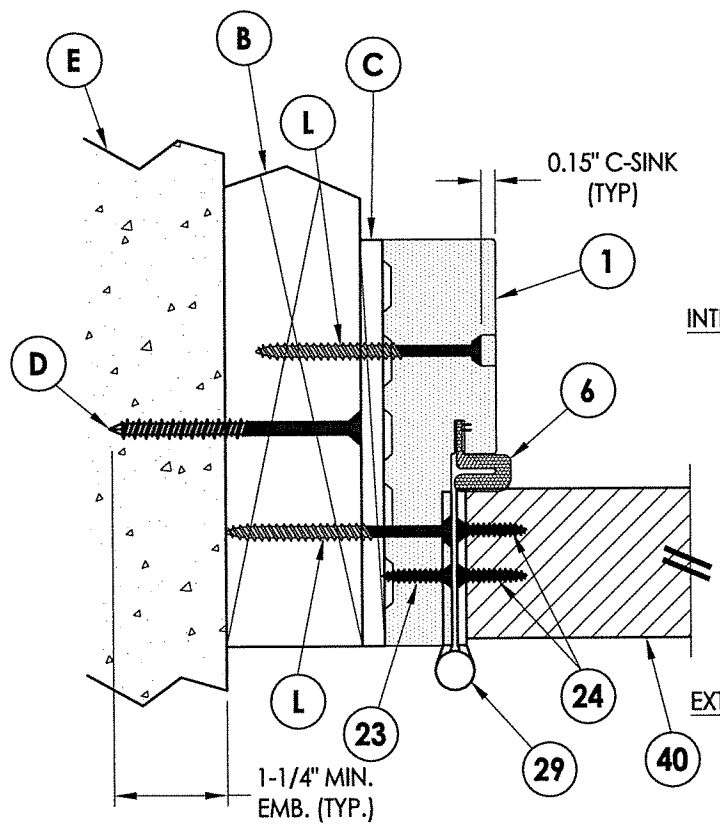


**2** VERTICAL CROSS SECTION  
**5** Outswing shown (Inswing similar)

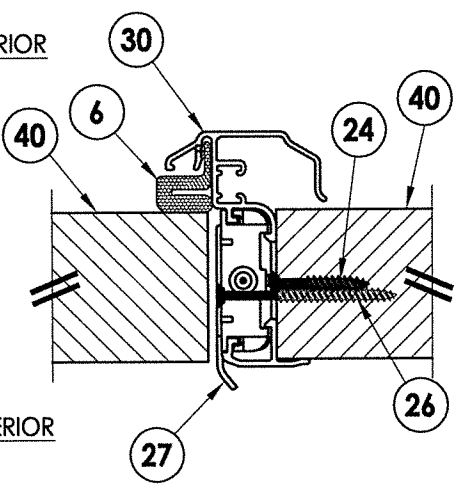


**4** HORIZONTAL CROSS SECTION  
**5** Outswing shown (Inswing similar)

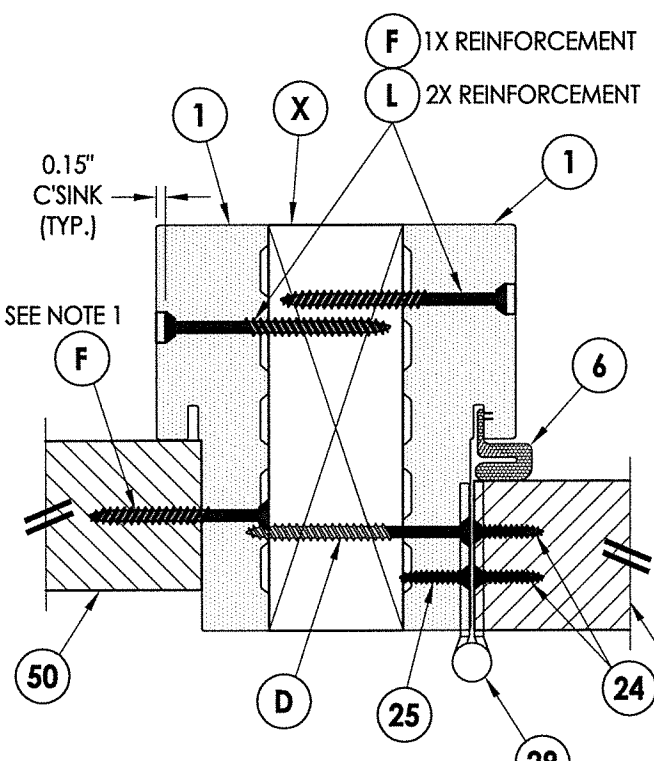
**NOTE:**  
 1. Spacing for item F: 6" from ends and 4 more equally spaced along sidelite (6 total).



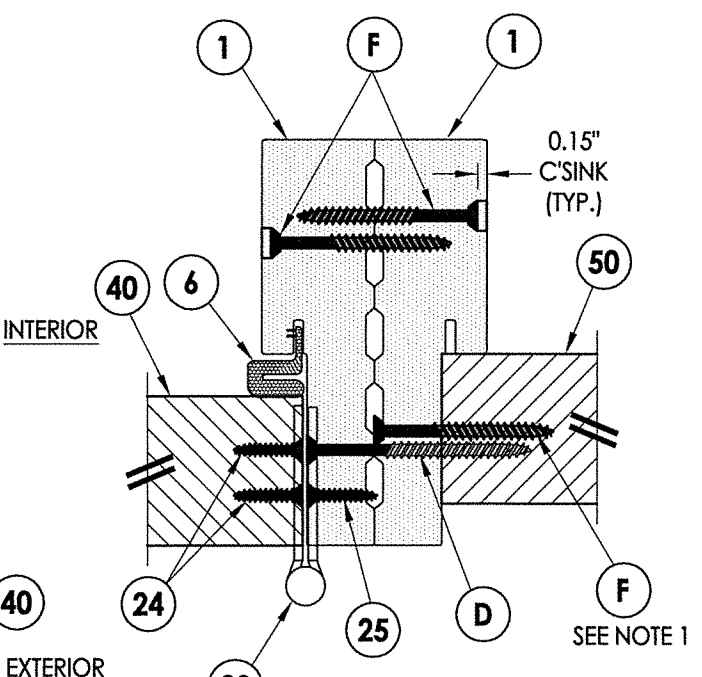
**3** HORIZONTAL CROSS SECTION  
**5** Outswing shown (Inswing similar)



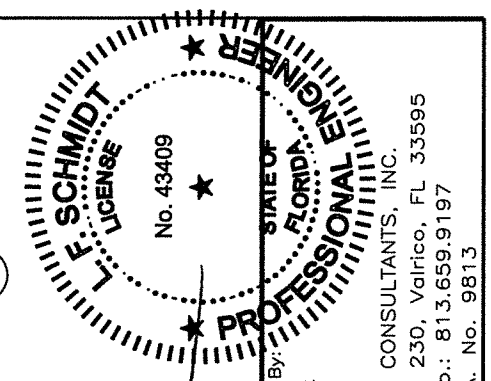
**7** HORIZONTAL CROSS SECTION  
**5** Outswing shown (Inswing similar)



**5** HORIZONTAL CROSS SECTION  
**5** Outswing shown (Inswing similar) Shown w/ 2X Reinforcement (1X Reinforcement Similar)



**6** HORIZONTAL CROSS SECTION  
**5** Outswing shown (Inswing similar) Shown w/ No Reinforcement

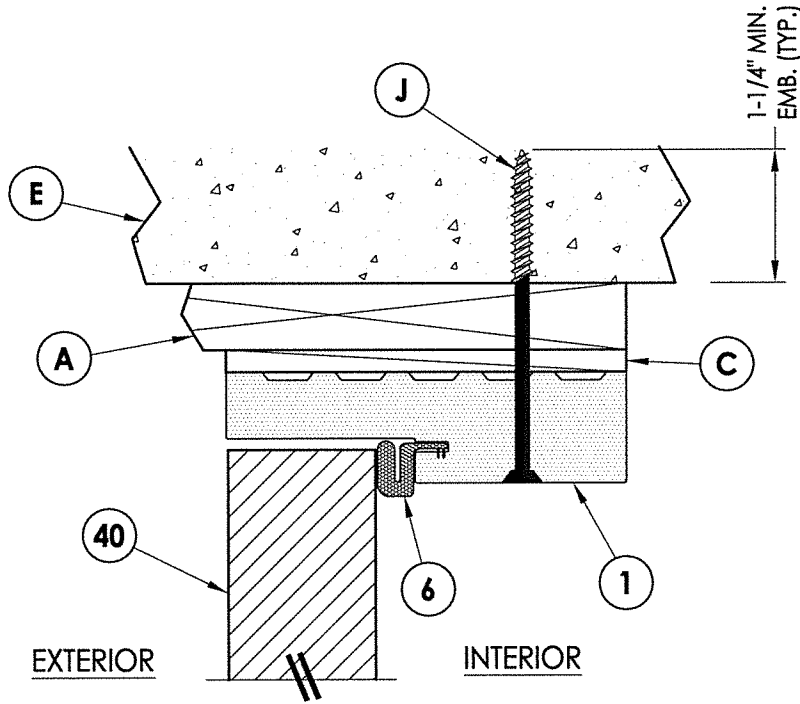


Documents Prepared By:  
 Lyndon F. Schmidt  
 P.E. No. 43409  
 6.6.16  
 R.W. BUILDING CONSULTANTS, INC.  
 P.O. Box 230, Valrico, FL 33595  
 Phone No.: 813.659.9197  
 FBPE C.A. No. 9813

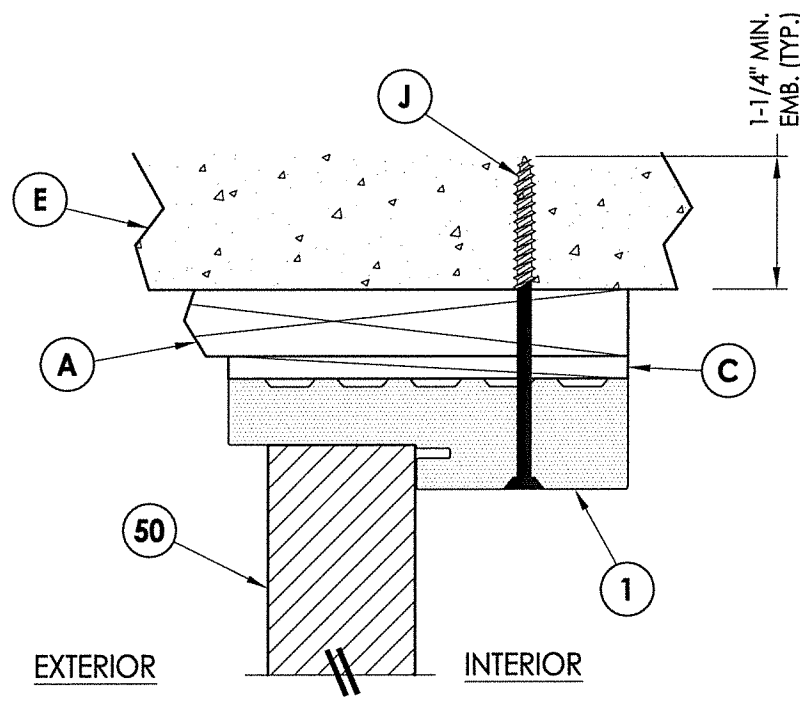
PRODUCT: SURE ROCK FIBERGLASS DOORS  
 PART OR ASSEMBLY: HORIZONTAL & VERTICAL CROSS SECTIONS (2X BUCK)

NO.	DATE	BY	REVISIONS

DATE: 5/17/16  
 SCALE: N.T.S.  
 DWG. BY: JK  
 CHK. BY: LFS  
 DRAWING NO.: FL-20474.3  
 SHEET 5 OF 11

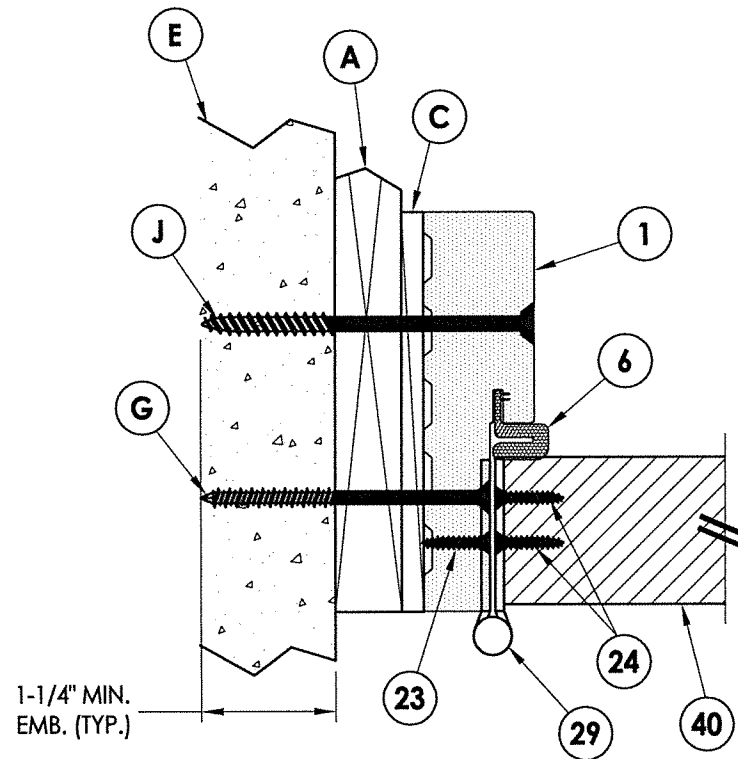


**1** VERTICAL CROSS SECTION  
**6** Outswing shown (Inswing similar)

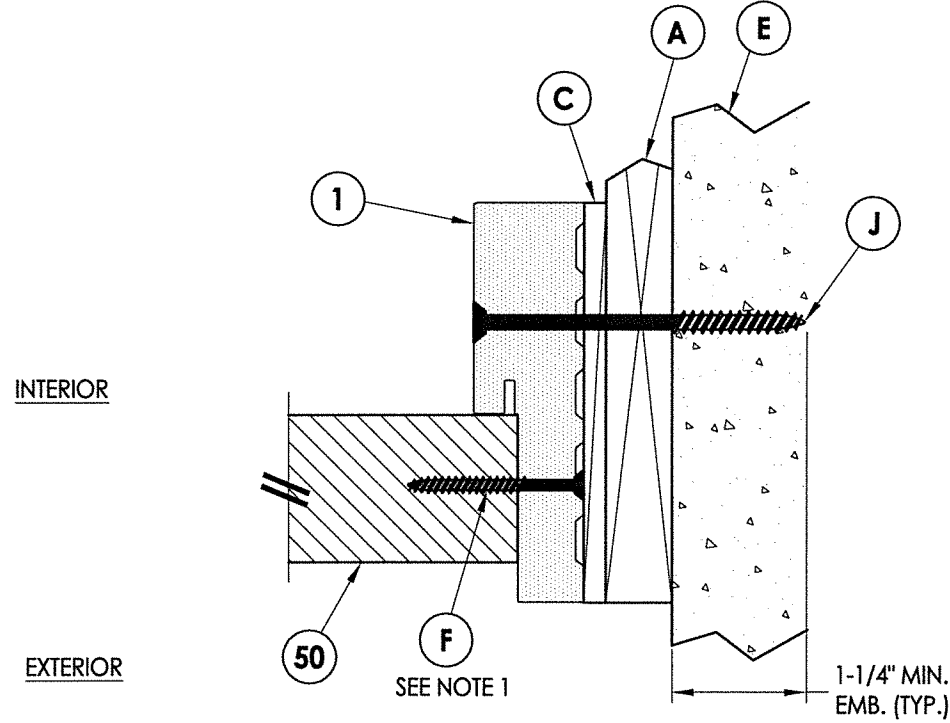


**2** VERTICAL CROSS SECTION  
**6** Outswing shown (Inswing similar)

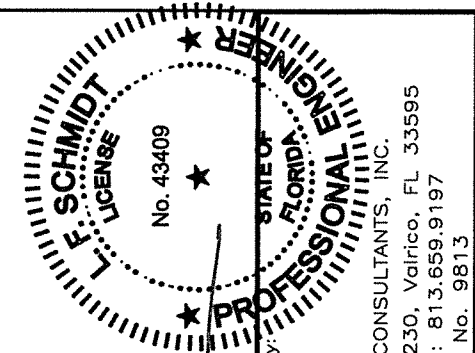
NOTE:  
 1. Spacing for item F: 6" from ends and 4 more equally spaced along sidelite (6 total).



**3** HORIZONTAL CROSS SECTION  
**6** Outswing shown (Inswing similar)

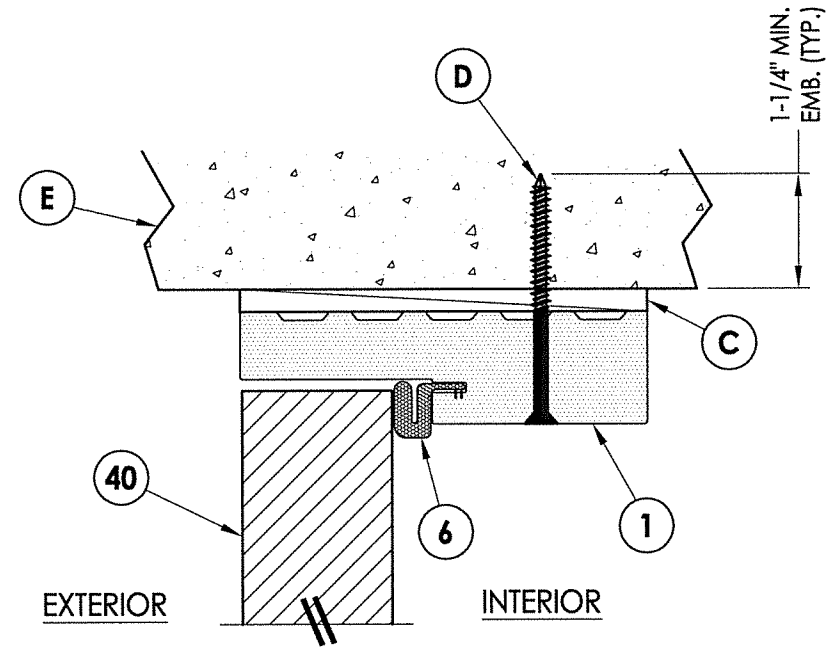


**4** HORIZONTAL CROSS SECTION  
**6** Outswing shown (Inswing similar)

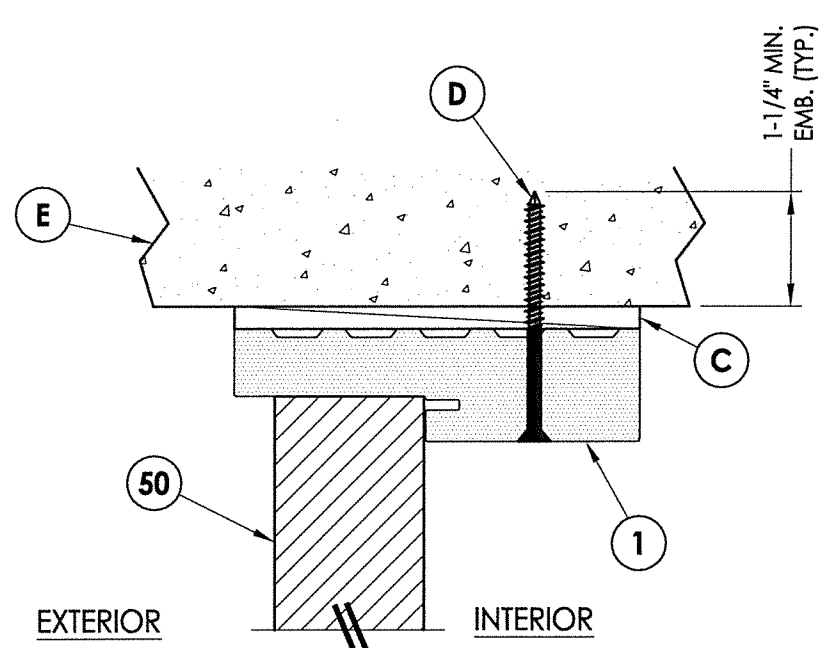


Documents Prepared By:  
 Lyndon F. Schmidt  
 P.E. No. 43409  
 R.W. BUILDING CONSULTANTS, INC.  
 P.O. Box 230, Vairico, FL 33595  
 Phone No.: 813.659.9197  
 FBPE C.A. No. 9813

PRODUCT: SURE ROCK FIBERGLASS DOORS	
PART OR ASSEMBLY: HORIZONTAL & VERTICAL CROSS SECTIONS (1X BUCK)	
NO.	DATE
BY	REVISIONS
DATE: 5/17/16	
SCALE: N.T.S.	
DWG. BY: JK	
CHK. BY: LFS	
DRAWING NO.: FL-20474.3	
SHEET 6 OF 11	

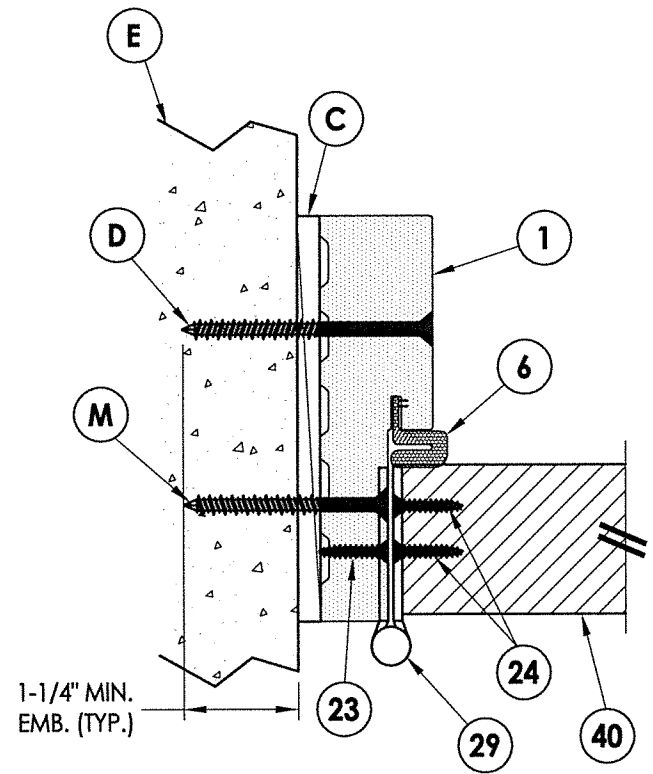


**1**  
**7** **VERTICAL CROSS SECTION**  
Outswing shown (Inswing similar)

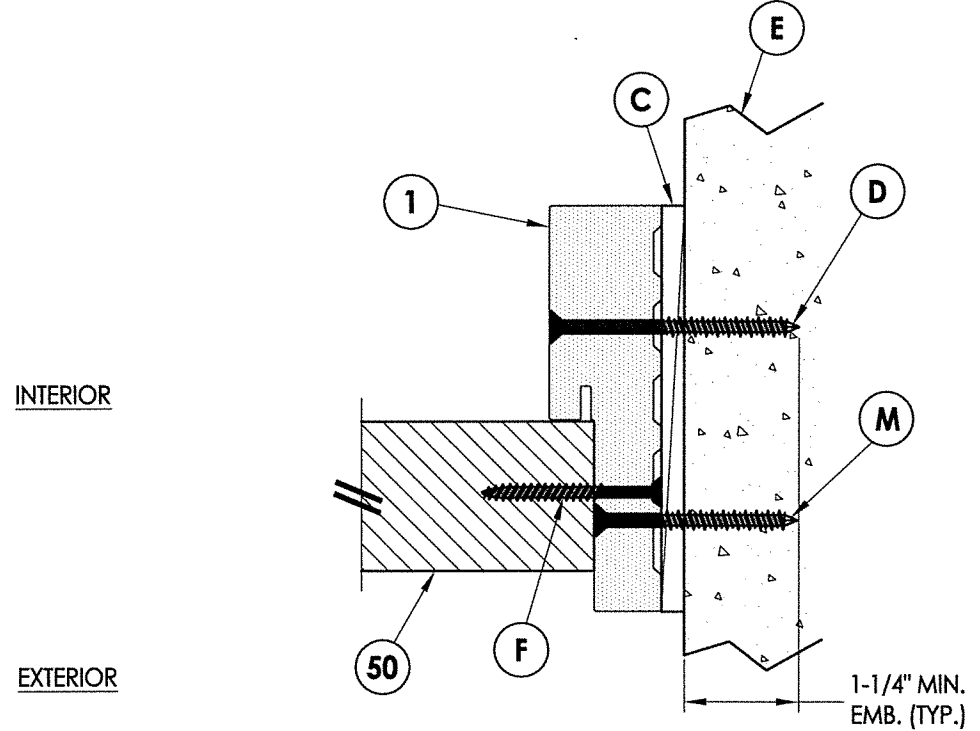


**2**  
**7** **VERTICAL CROSS SECTION**  
Outswing shown (Inswing similar)

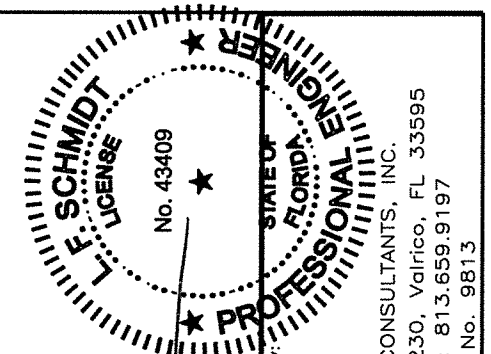
NOTE:  
1. Spacing for item F: 6" from ends and 4 more equally spaced along sidelite (6 total).



**3**  
**7** **HORIZONTAL CROSS SECTION**  
Outswing shown (Inswing similar)



**4**  
**7** **HORIZONTAL CROSS SECTION**  
Outswing shown (Inswing similar)



*LFS*  
*6.6.16*

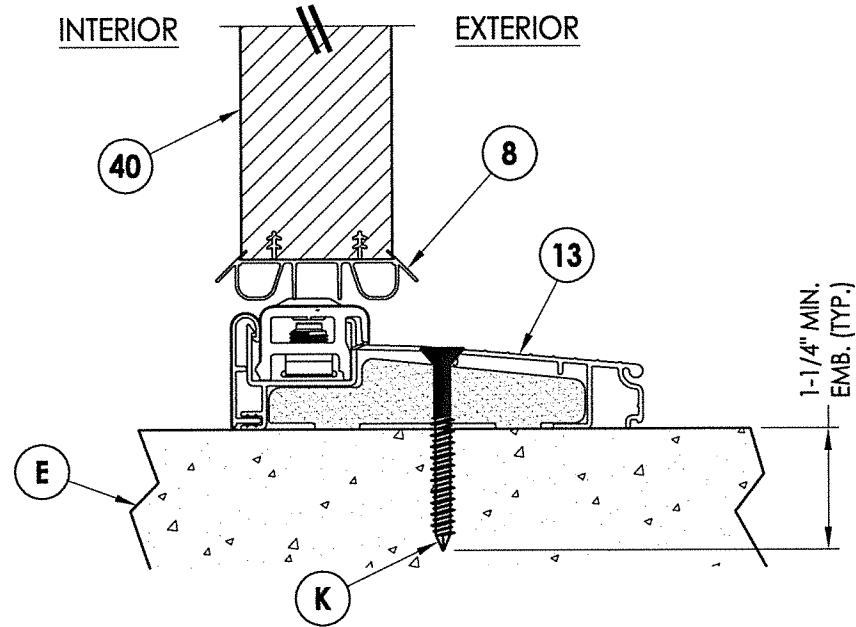
Documents Prepared By:  
Lyndon F. Schmidt  
P.E. No. 43409  
*RW* BUILDING CONSULTANTS, INC.  
P.O. Box 230, Valrico, FL 33595  
Phone No.: 813.659.9197  
FBPE C.A. No. 9813

PRODUCT: SURE ROCK FIBERGLASS DOORS  
PART OR ASSEMBLY: HORIZONTAL & VERTICAL CROSS SECTIONS (DIRECT TO MASONRY)

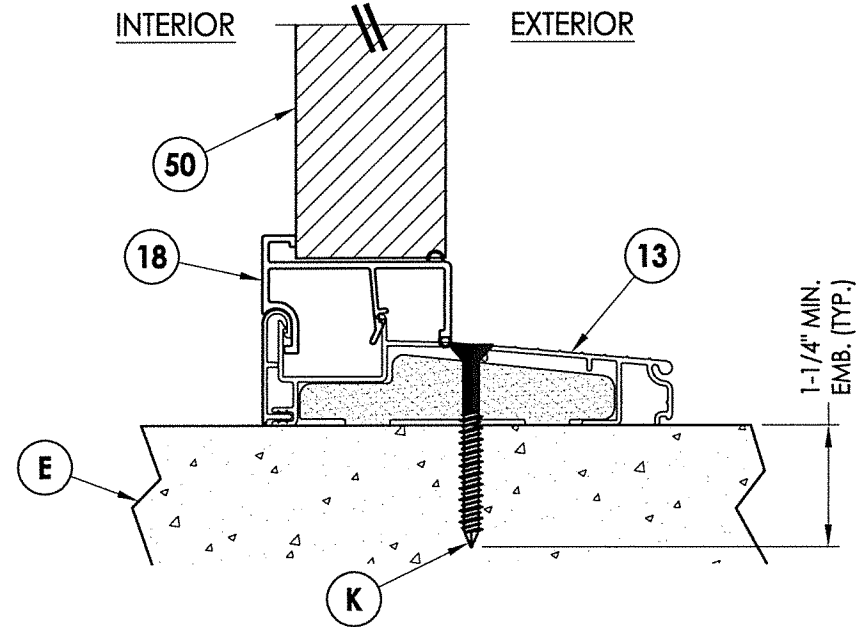
NO.	DATE	BY	REVISIONS

DATE: 5/17/16  
SCALE: N.T.S.  
DWG. BY: JK  
CHK. BY: LFS  
DRAWING NO.: FL-20474.3  
SHEET 7 OF 11

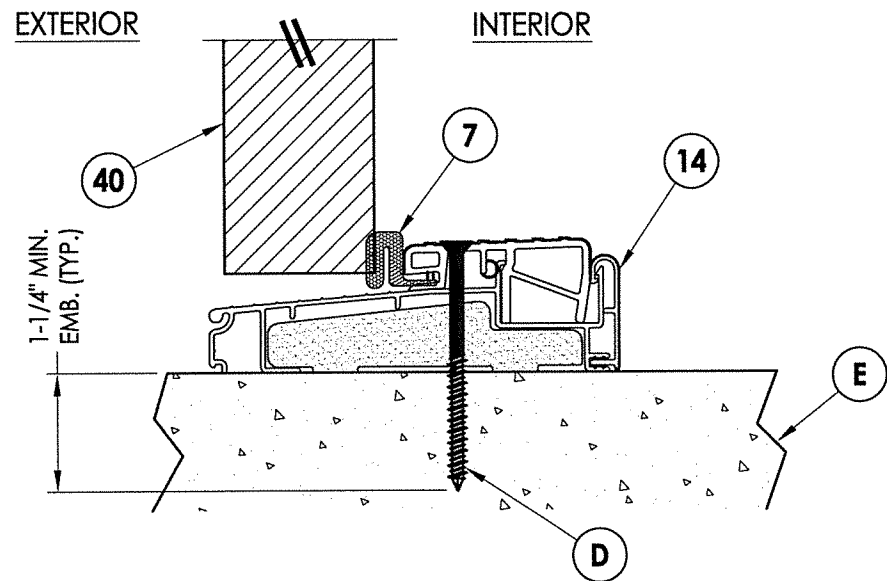




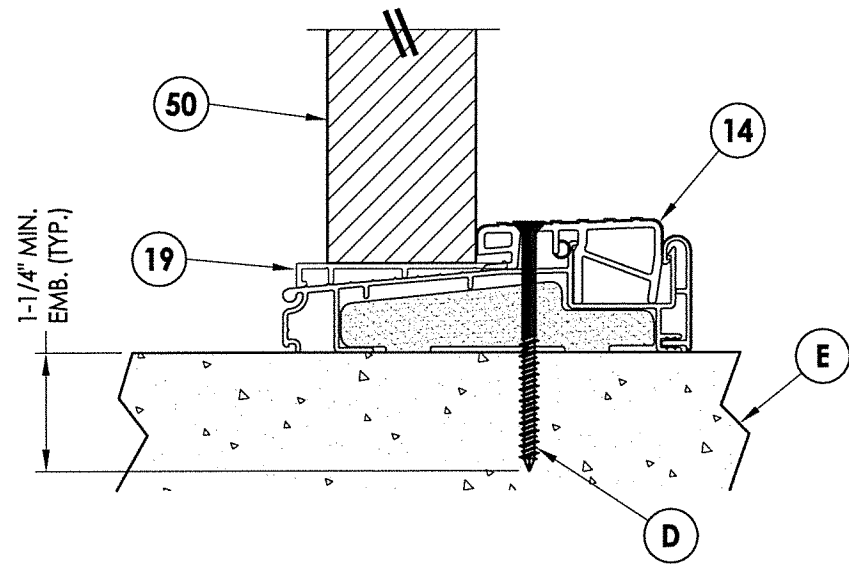
**1** VERTICAL CROSS SECTION  
**8** Inswing Threshold



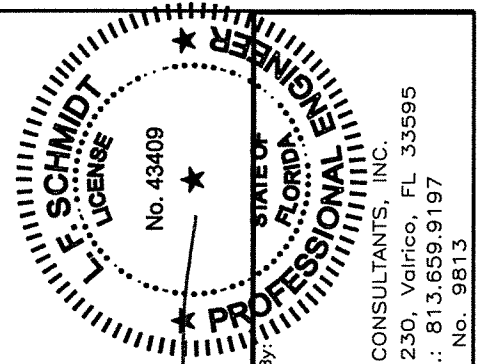
**3** VERTICAL CROSS SECTION  
**8** Inswing Threshold



**2** VERTICAL CROSS SECTION  
**8** Outswing Threshold



**4** VERTICAL CROSS SECTION  
**8** Outswing Threshold



LFS  
6.6.16

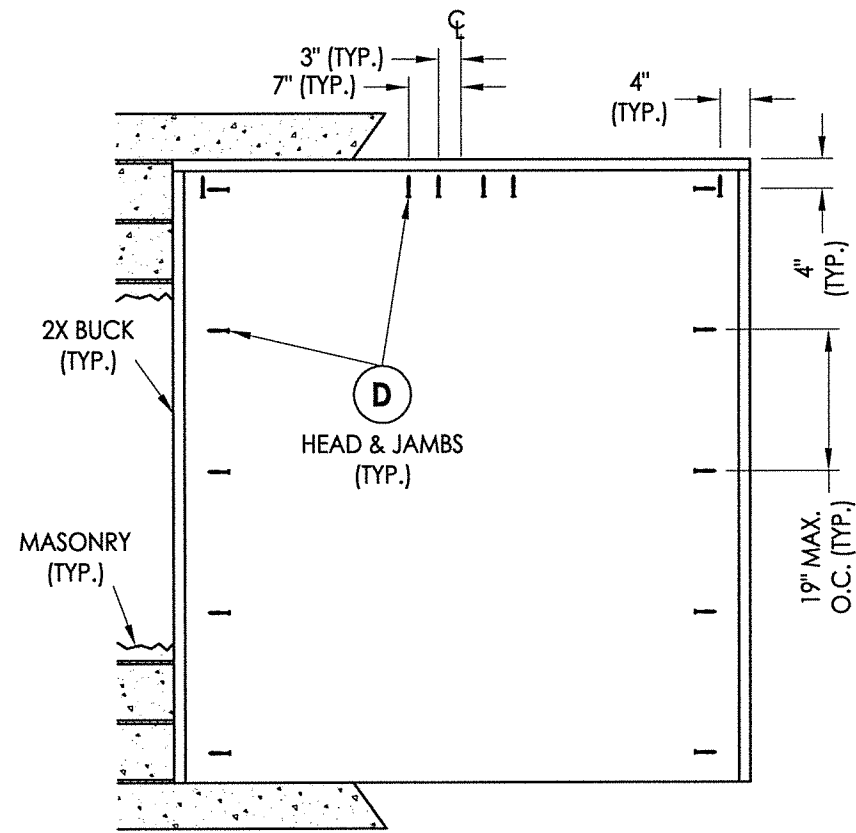
Documents Prepared By:  
Lyndon F. Schmidt  
P.E. No. 43409

RW

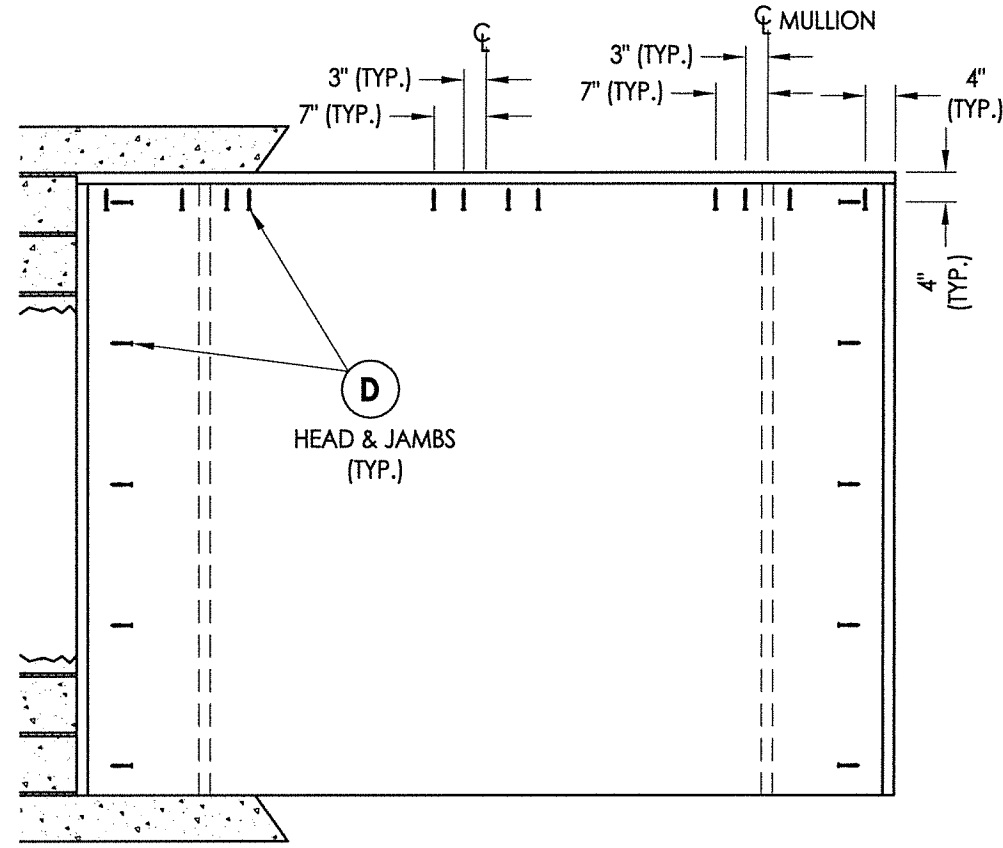
BUILDING CONSULTANTS, INC.  
P.O. Box 230, Vairico, FL 33595  
Phone No.: 813.659.9197  
FBPE C.A. No. 9813

PRODUCT: SURE ROCK FIBERGLASS DOORS	
PART OR ASSEMBLY: VERTICAL CROSS SECTIONS (THRESHOLDS)	
NO.	DATE
BY	REVISIONS
DATE: 5/17/16	
SCALE: N.T.S.	
DWG. BY: JK	
CHK. BY: LFS	
DRAWING NO.: FL-20474.3	
SHEET 8 OF 11	





XX



OXO

**2X BUCK ANCHORING**

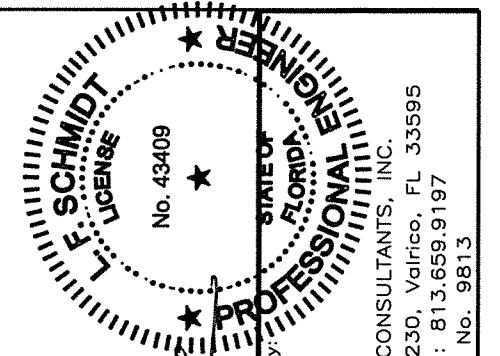
**CONCRETE ANCHOR NOTES:**

1. Concrete anchor locations at the corners may be adjusted to maintain the min. edge distance to mortar joints.
2. Concrete anchor locations noted as "MAX. ON CENTER" must be adjusted to maintain the min. edge distance to mortar joints, additional concrete anchors may be required to ensure the "MAX. ON CENTER" dimension are not exceeded.
3. Concrete anchor table:

ANCHOR TYPE	ANCHOR SIZE	MIN. EMBEDMENT	MIN. CLEARANCE TO MASONRY EDGE	MIN. CLEARANCE TO ADJACENT ANCHOR
ITW TAPCON®	1/4"	1-1/4"	2"	4"
ELCO ULTRACON®	1/4"	1-1/4"	1"	4"

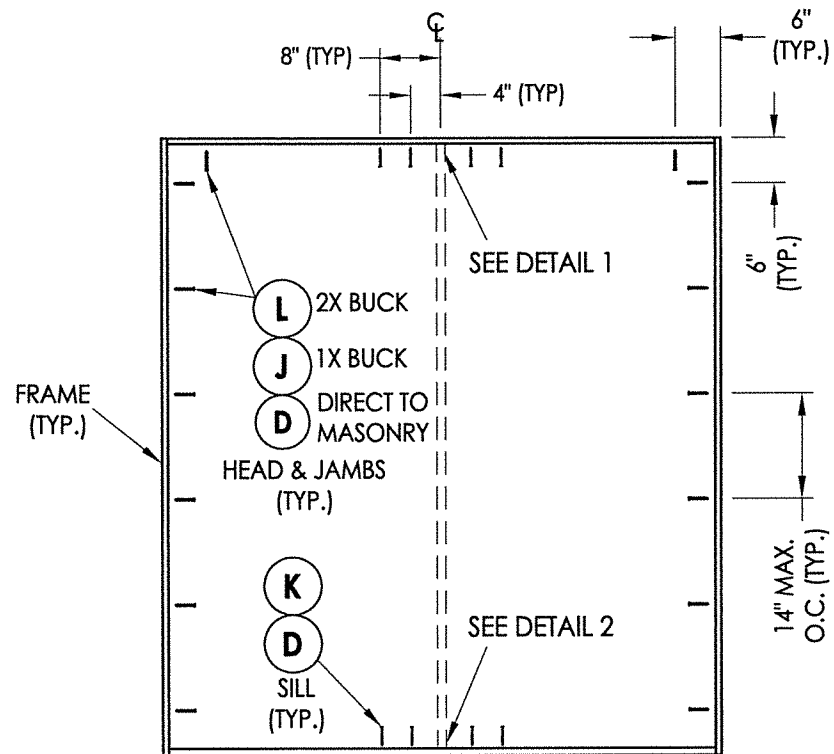
**WOOD SCREW INSTALLATION NOTES:**

1. Maintain a minimum 5/8" edge distance, 1" end distance, & 1" o.c. spacing of wood screws to prevent the splitting of wood.

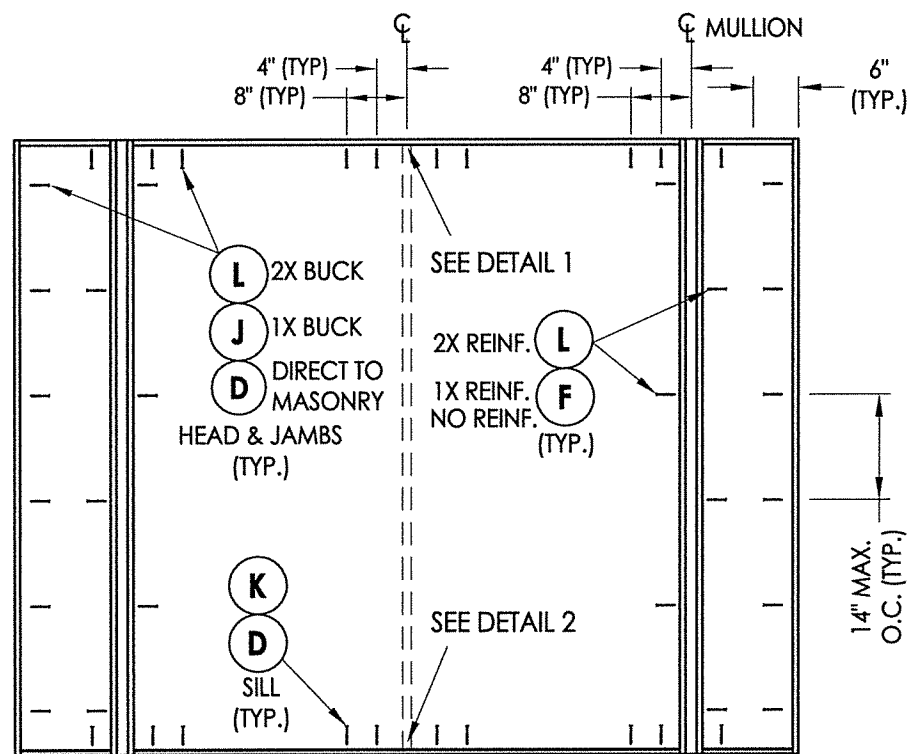


Documents Prepared By:  
 Lyndon F. Schmidt  
 P.E. No. 43409  
 R.W. BUILDING CONSULTANTS, INC.  
 P.O. Box 230, Valrico, FL 33595  
 Phone No.: 813.659.9197  
 FBPE C.A. No. 9813

PRODUCT: SURE ROCK FIBERGLASS DOORS	
PART OR ASSEMBLY: BUCK ANCHORING	
NO.	DATE
BY	
REVISIONS	
DATE: 5/17/16	
SCALE: N.T.S.	
DWG. BY: JK	
CHK. BY: LFS	
DRAWING NO.: FL-20474.3	
SHEET 9 OF 11	

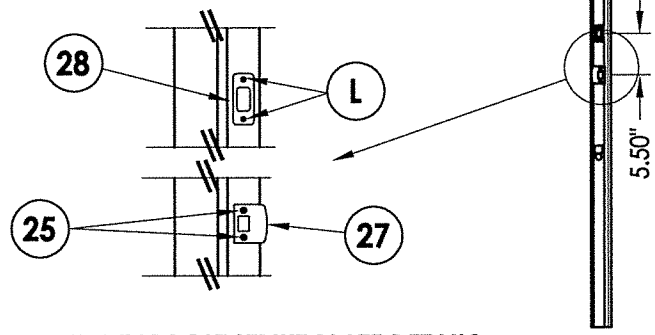
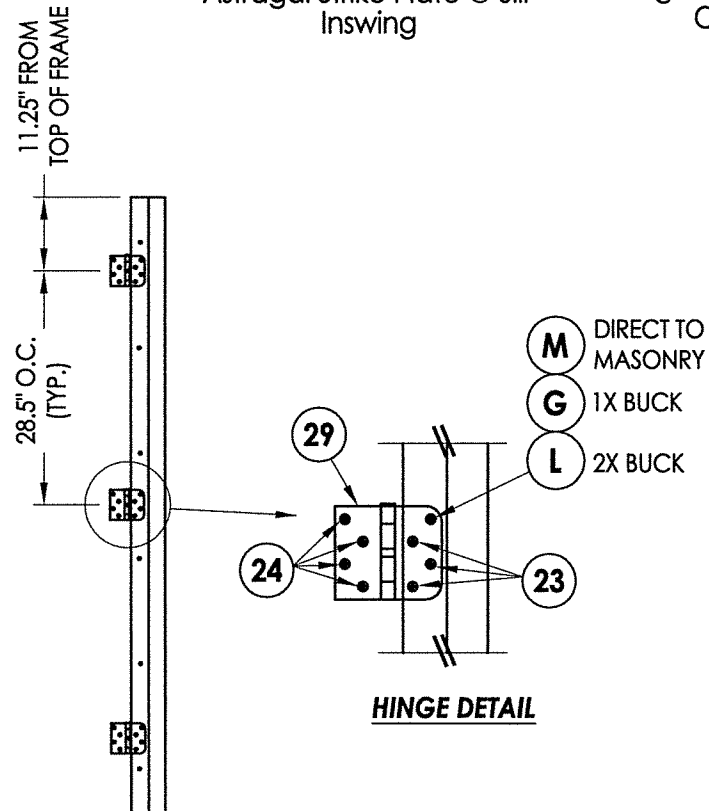
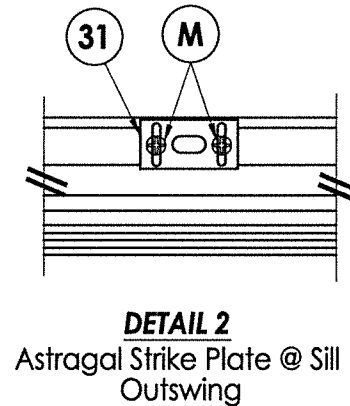
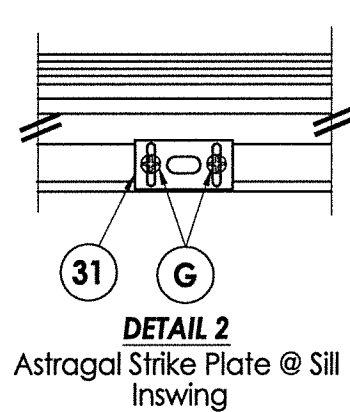
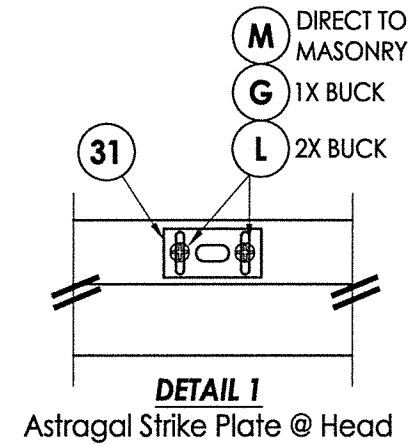


**XX**



**OXXO**

**FRAME ANCHORING**



**ASTRAGAL JAMB**

**HINGE JAMB**

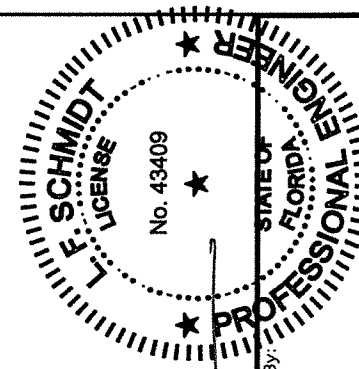
**CONCRETE ANCHOR NOTES:**

- Concrete anchor locations at the corners may be adjusted to maintain the min. edge distance to mortar joints.
- Concrete anchor locations noted as "MAX. ON CENTER" must be adjusted to maintain the min. edge distance to mortar joints, additional concrete anchors may be required to ensure the "MAX. ON CENTER" dimension are not exceeded.
- Concrete anchor table:

ANCHOR TYPE	ANCHOR SIZE	MIN. EMBEDMENT	MIN. CLEARANCE TO MASONRY EDGE	MIN. CLEARANCE TO ADJACENT ANCHOR
ITW TAPCON®	1/4"	1-1/4"	2"	4"
ELCO ULTRACON®	1/4"	1-1/4"	1"	4"
ITW TAPCON®	3/16"	1-1/4"	3"	1-1/2"

**WOOD SCREW INSTALLATION NOTES:**

- Maintain a minimum 5/8" edge distance, 1" end distance, & 1" o.c. spacing of wood screws to prevent the splitting of wood.



Documents Prepared By:  
Lyndon F. Schmidt  
P.E. No. 43409

**RW** BUILDING CONSULTANTS, INC.  
P.O. Box 230, Valrico, FL 33595  
Phone No.: 813.659.9197  
FBPE C.A. No. 9813

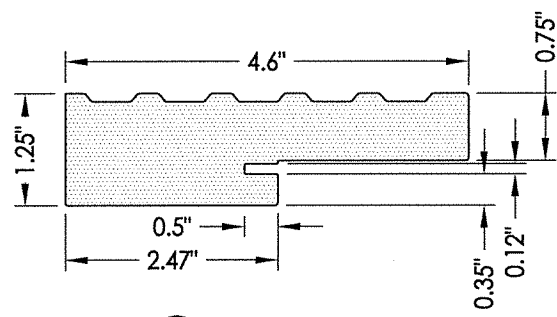
PRODUCT: SURE ROCK FIBERGLASS DOORS  
PART OR ASSEMBLY: FRAME ANCHORING

NO.	DATE	BY

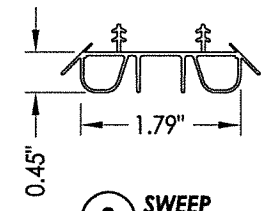
DATE: 5/17/16  
SCALE: N.T.S.  
DWG. BY: JK  
CHK. BY: LFS  
DRAWING NO.: FL-20474.3  
SHEET 10 OF 11

R:\Clients\HM Sure Rock PERMANENT\A - Florida Product Approvals\FL-20474\C - Drawings\FL-20474-1-3.dwg, 11.3

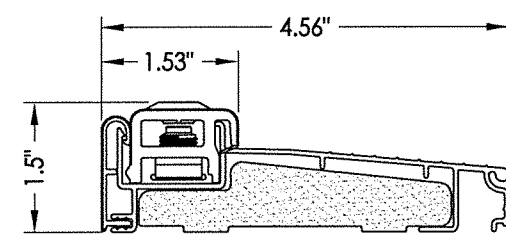
BILL OF MATERIALS		
ITEM #	DESCRIPTION	MATERIAL
A	1X BUCK (SG >= 0.42)	WOOD
B	2X BUCK (SG >= 0.42)	WOOD
C	1/4" MAX. SHIM SPACE	-
D	1/4" X 2-3/4" PFH ELCO OR ITW CONCRETE SCREW	STEEL
E	MASONRY - 3,000 PSI MIN. CONCRETE CONFORMING TO ACI 301 OR HOLLOW BLOCK CONFORMING TO ASTM C90	CONCRETE
F	#10 X 2" PFH WOOD SCREW	STEEL
G	3/16" X 3-1/4" PFH ITW CONCRETE SCREW	STEEL
J	1/4" X 3-3/4" PFH ELCO OR ITW CONCRETE SCREW	STEEL
K	1/4" X 2-1/4" PFH ELCO OR ITW CONCRETE SCREW	STEEL
L	#10 X 2-1/2" PFH WOOD SCREW (1.15" MIN. EMBEDMENT)	STEEL
M	3/16" X 2-1/4" PFH ITW CONCRETE SCREW	STEEL
X	1X OR 2X REINFORCEMENT (SG >= 0.55)	WOOD
1	FRAME (SURE JAMB)	COMP
6	WEATHERSTRIP (Q-LON)	FOAM
8	SWEEP	VINYL
13	INSWING THRESHOLD	ALUM/COMP
14	OUTSWING THRESHOLD	ALUM/COMP
18	INSWING SIDELITE SPACER	PVC
19	OUTSWING SIDELITE SPACER	PVC
23	#10 x 3/4" PFH WOOD SCREW	STEEL
24	#10 x 1" PFH WOOD SCREW	STEEL
25	#8 x 2-1/2" PFH WOOD SCREW	STEEL
27	LATCH STRIKE PLATE	STEEL
28	DEADBOLT STRIKE PLATE	STEEL
29	4" X 4" HINGE	STEEL
30	ENDURA ULTIMATE HURRICANE ASTRAGAL	ALUM
31	ASTRAGAL SHOOTBOLT STRIKE PLATE	STEEL
40	DOOR PANEL	-



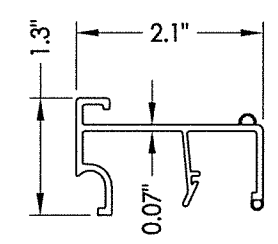
1 FRAME SURE JAMB



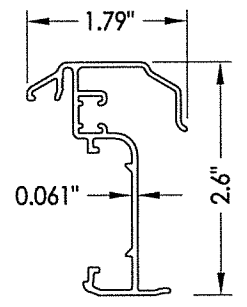
8 SWEEP



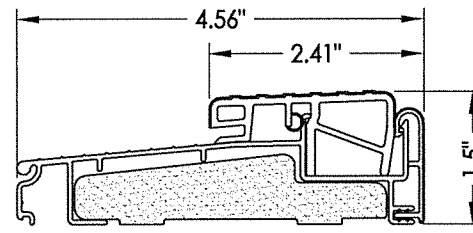
13 INSWING THRESHOLD ENDURA (Z-SERIES)



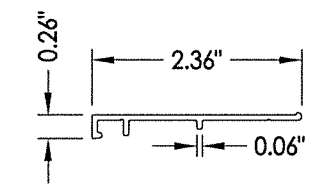
18 INSWING SIDELITE SPACER



30 ULTIMATE HURRICANE ASTRAGAL ENDURA



14 OUTSWING THRESHOLD ENDURA (Z-SERIES)



19 OUTSWING SIDELITE SPACER

Documents Prepared By: *LFS*  
 Lyndon F. Schmidt  
 P.E. No. 43409  
 No. 6.6.16

*RW*  
 BUILDING CONSULTANTS, INC.  
 P.O. Box 230, Valrico, FL 33595  
 Phone No.: 813.659.9197  
 FBPE C.A. No. 9813

PRODUCT:	SURE ROCK FIBERGLASS DOORS	
PART OR ASSEMBLY:	BILL OF MATERIALS & COMPONENTS	
NO.	DATE	BY
REVISIONS		
DATE:	5/17/16	
SCALE:	N.T.S.	
DWG. BY:	JK	
CHK. BY:	LFS	
DRAWING NO.:	FL-20474.3	
SHEET	11 OF 11	