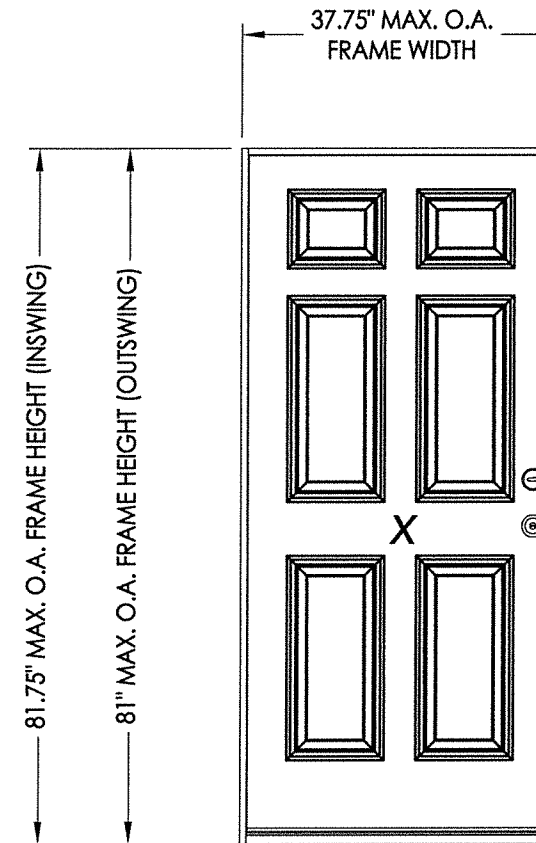




# SURE ROCK OPAQUE FIBERGLASS ENTRY DOORS

## IN SWING / OUT SWING "NON-IMPACT"



**EVALUATED FOR USE IN THE STATE OF TEXAS**

The Fiberglass Door described herein complies with the 2006 International Residential Code (IRC), Sections R301 & R613 and the 2006 International Building Code (IBC), Sections 1405.12, 1609, 1714.5, 2403 and 2404 (including Texas revisions) subject to the following conditions:

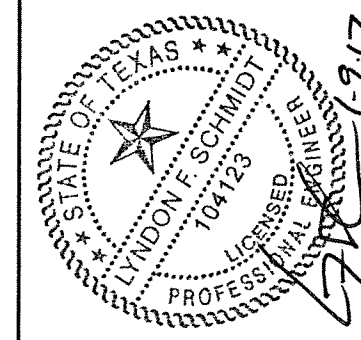
1. Anchors shall be as listed and spaced as shown in the details. Anchor embedment to base material shall be beyond wall dressing or stucco.
2. When used in areas requiring wind-borne debris protection this product is required to be protected with an impact resistant covering that complies with Section R301.2.1.2 of the IRC and Section 1609.1.2 of the IBC.
3. Allowable design pressure requirements must be equal to or less than the design pressure rating shown in the design pressure chart, sheet 1 of this drawing.
4. Conditions not covered by this drawing are subject to further engineering analysis.

**TABLE OF CONTENTS**

SHEET #	DESCRIPTION
1	Typical Elevations, Design Pressures & General Notes
2	Door Panel Details
3	Horizontal & Vertical Cross Sections
6	Vertical Cross Sections
7	Frame Anchoring
8	Bill of Materials & Components

CONFIGURATION	MAX. FRAME DIMENSION	DESIGN PRESSURE (PSF) INSWING		DESIGN PRESSURE (PSF) OUTSWING	
		POSITIVE	NEGATIVE	POSITIVE	NEGATIVE
X	37.75" x 81.75"	+90.0	-90.0	+90.0	-90.0

See Sheet 2 for Hardware Design Pressure Limitations

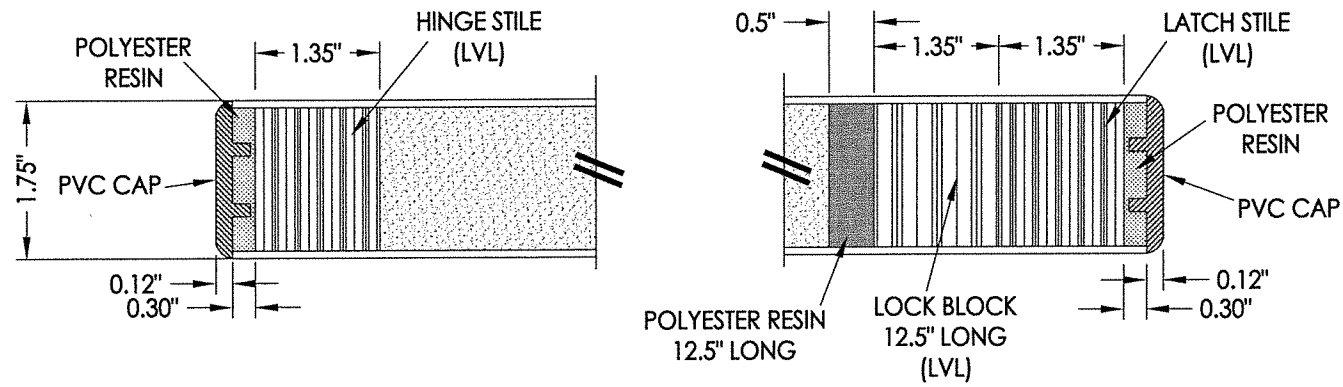


Documents Prepared By: Lyndon F. Schmidt, P.E.  
TEXAS P.E. #104123

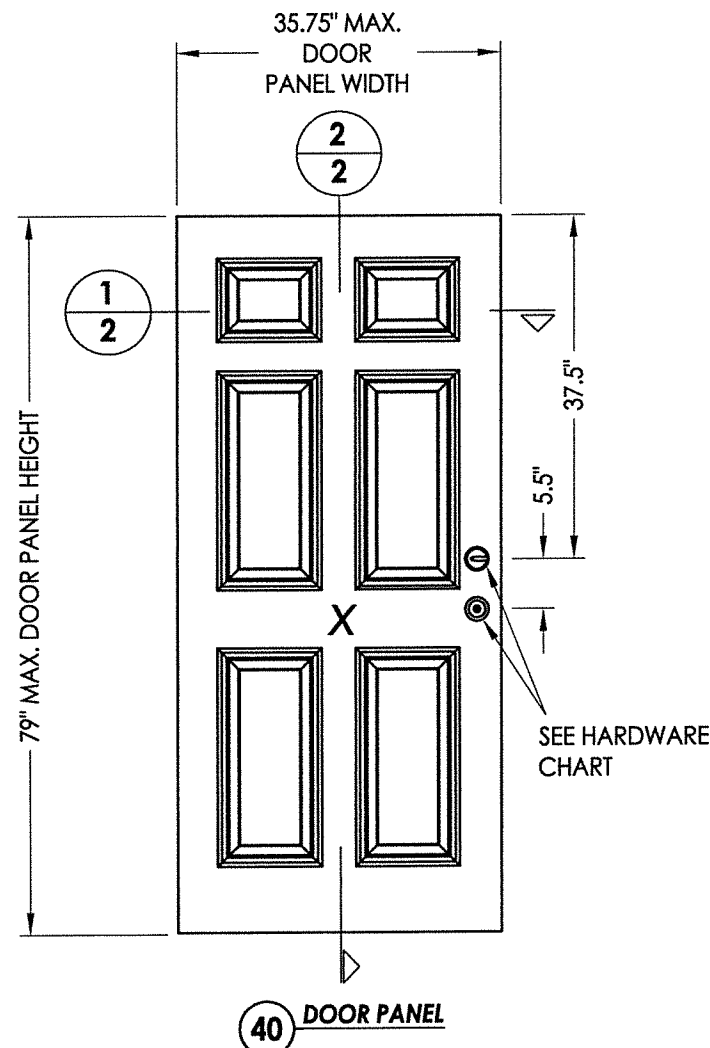
*RW* BUILDING CONSULTANTS, INC.  
P.O. Box 230 Valrico FL, 33595  
Phone No.: 813.659.9197

TEXAS BOARD OF PROFESSIONAL ENGINEERS  
CERTIFICATE OF REGISTRATION # F-11852

PRODUCT: SURE ROCK FIBERGLASS DOORS	
PART OR ASSEMBLY: TYPICAL ELEVATION, DESIGN PRESSURES & GENERAL NOTES	
NO.	DATE
BY	REVISIONS
DATE: 1/09/17	
SCALE: N.T.S.	
DWG. BY: JK	
CHK. BY: LFS	
DRAWING NO.: TX-4818	
SHEET 1 OF 6	

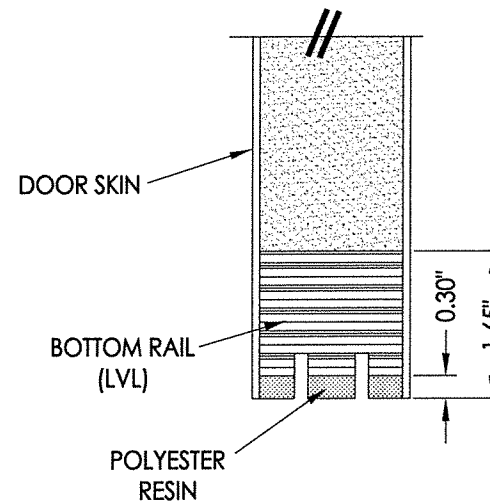
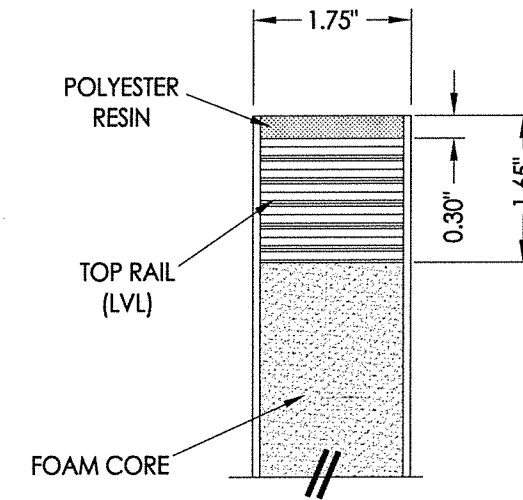


1 HORIZONTAL CROSS SECTION  
2

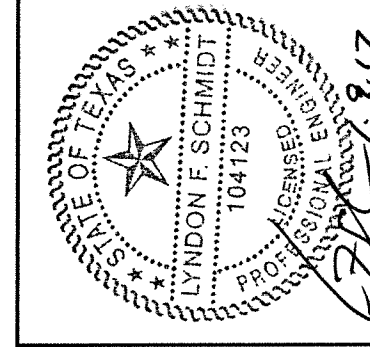


40 DOOR PANEL

HARDWARE TABLE			
MANUFACTURER	MODEL		MAX. DESIGN PRESSURE
KWIKSET	KNOB: Signature Series		± 90 PSF
	DEADBOLT: Signature Series (980)		
SCHLAGE	KNOB: F Series (F51)		± 55 PSF
	DEADBOLT: B Series (B60N)		



2 VERTICAL CROSS SECTION  
2



Documents Prepared By: Lyndon F. Schmidt, P.E.  
TEXAS P.E. #104123

RW BUILDING CONSULTANTS, INC.  
P.O. Box 230 Valrico FL 33595  
Phone No.: 813.659.9197

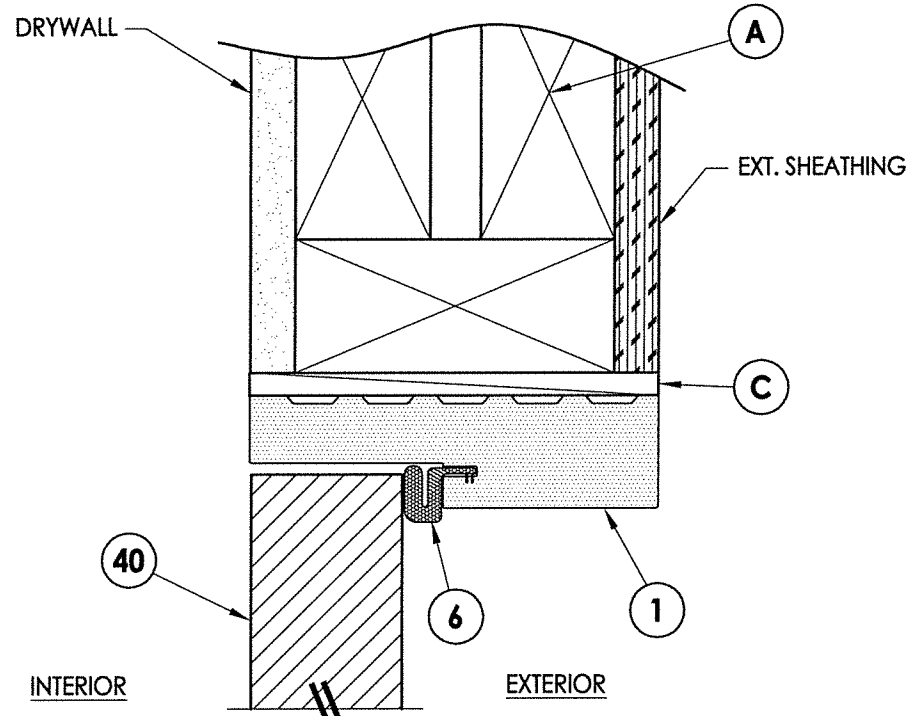
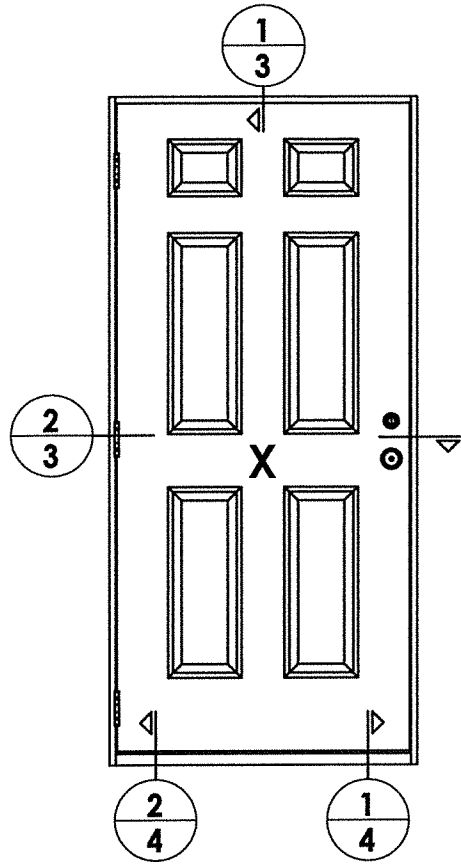
TEXAS BOARD OF PROFESSIONAL ENGINEERS  
CERTIFICATE OF REGISTRATION # F-11852

PRODUCT: SURE ROCK FIBERGLASS DOORS

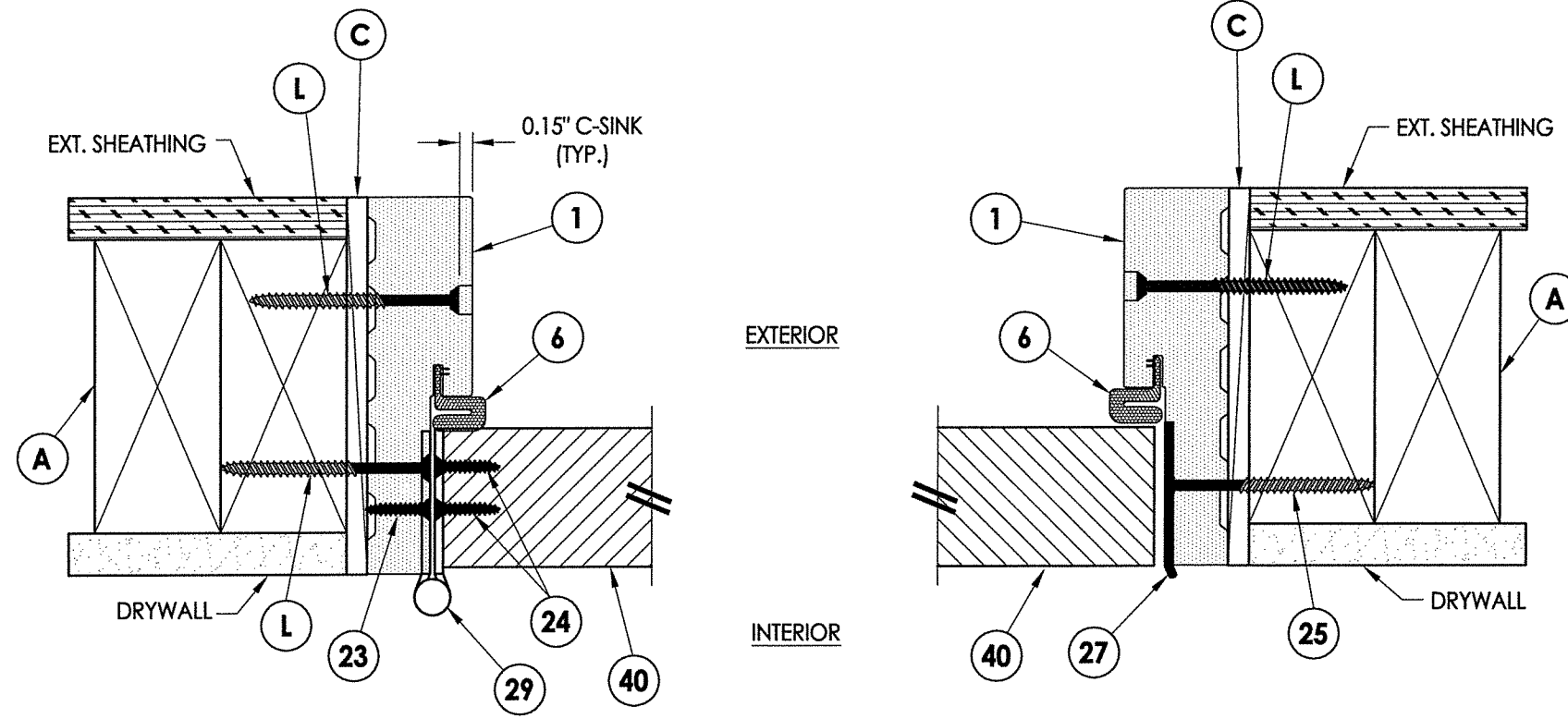
PART OR ASSEMBLY: DOOR PANEL DETAILS

NO.	DATE	BY	REVISIONS

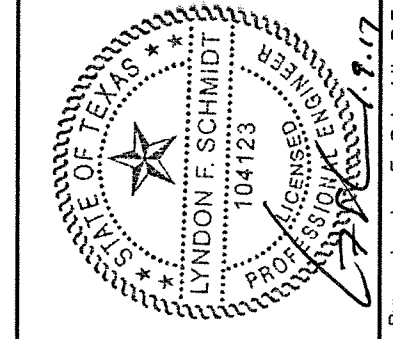
DATE: 1/09/17  
SCALE: N.T.S.  
DWG. BY: JK  
CHK. BY: LFS  
DRAWING NO.: TX-4818  
SHEET 2 OF 6



**1** VERTICAL CROSS SECTION  
**3** Inswing shown (Outswing similar)



**2** HORIZONTAL CROSS SECTION  
**3** Inswing shown (Outswing similar)



Documents Prepared By: Lyndon F. Schmidt, P.E.  
 TEXAS P.E. #104123

**RW** BUILDING CONSULTANTS, INC.  
 P.O. Box 230 Valrico FL 33595  
 Phone No.: 813.659.9197

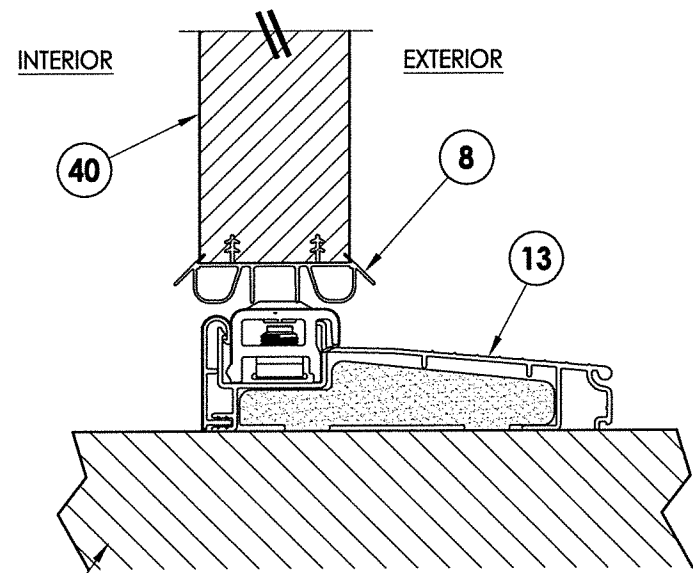
TEXAS BOARD OF PROFESSIONAL ENGINEERS  
 CERTIFICATE OF REGISTRATION # F-11852

PRODUCT: SURE ROCK FIBERGLASS DOORS

PART OR ASSEMBLY: HORIZONTAL & VERTICAL CROSS SECTIONS

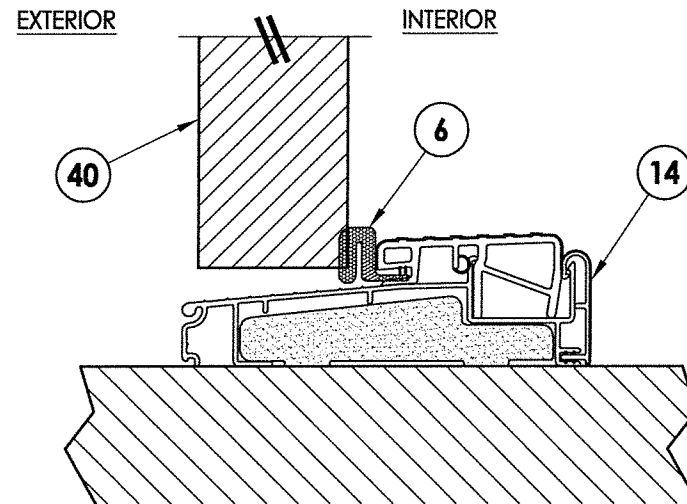
NO.	DATE	BY	REVISIONS

DATE: 1/09/17  
 SCALE: N.T.S.  
 DWG. BY: JK  
 CHK. BY: LFS  
 DRAWING NO.: TX-4818  
 SHEET 3 OF 6

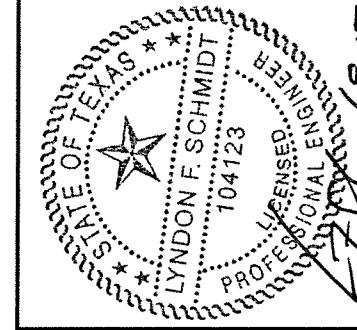


SUBSTRATE (TYP.)  
WOOD (G >= 0.42)  
CONCRETE (MIN. 3000 PSI)

**1** VERTICAL CROSS SECTION  
**4** Inswing Threshold



**2** VERTICAL CROSS SECTION  
**4** Outswing Threshold



Documents Prepared By: Lyndon F. Schmidt, P.E.  
TEXAS P.E. #104123

*RW* BUILDING CONSULTANTS, INC.

P.O. Box 230 Valrico FL 33595  
Phone No.: 813.659.9197

TEXAS BOARD OF PROFESSIONAL ENGINEERS  
CERTIFICATE OF REGISTRATION # F-11852

PRODUCT: SURE ROCK  
FIBERGLASS DOORS

PART OR ASSEMBLY:  
VERTICAL CROSS  
SECTIONS

NO.	DATE	BY	REVISIONS

DATE: 1/09/17

SCALE: N.T.S.

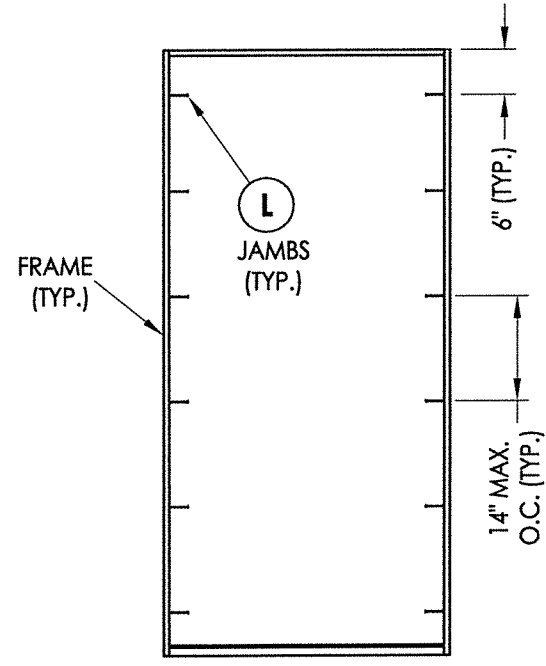
DWG. BY: JK

CHK. BY: LFS

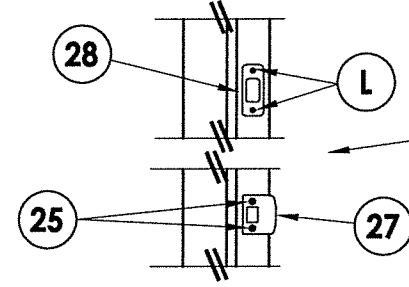
DRAWING NO.:

TX-4818

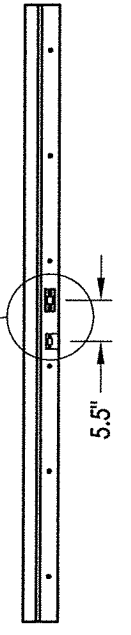
SHEET 4 OF 6



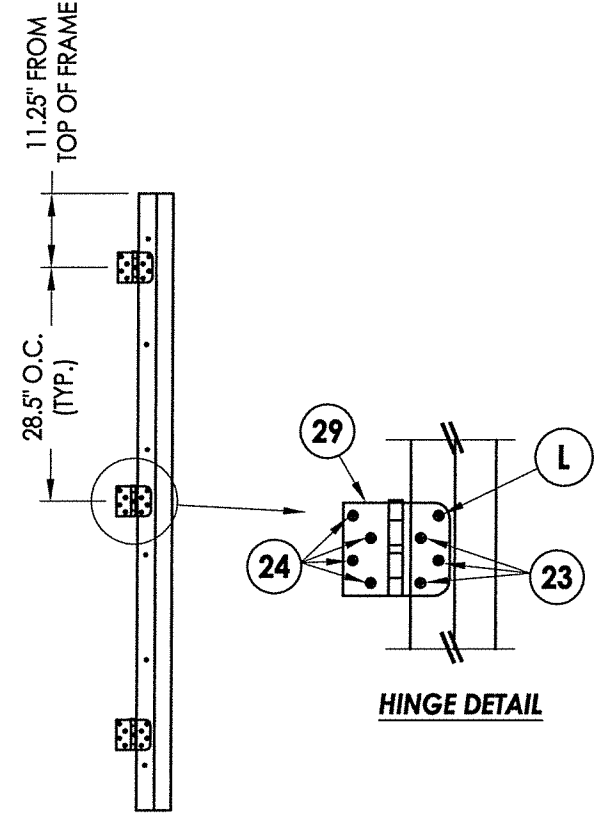
**X  
FRAME ANCHORING**



**LATCH AND DEADBOLT STRIKE PLATE DETAILS**

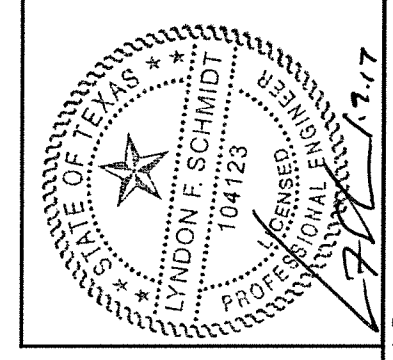


**STRIKE JAMB**



**HINGE JAMB**

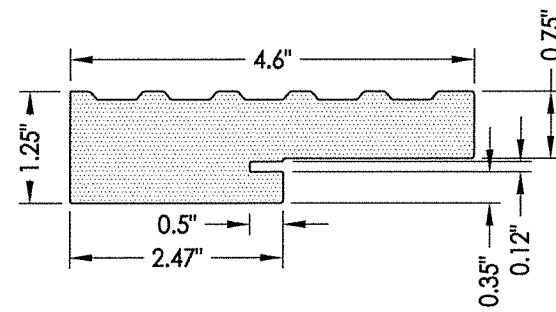
**HINGE DETAIL**



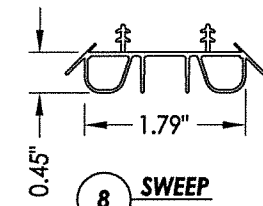
Documents Prepared By: Lyndon F. Schmidt, P.E.  
TEXAS P.E. #104123  
*RW* BUILDING CONSULTANTS, INC.  
P.O. Box 230 Valrico FL 33595  
Phone No.: 813.659.9197  
TEXAS BOARD OF PROFESSIONAL ENGINEERS  
CERTIFICATE OF REGISTRATION # F-11852

PRODUCT:	SURE ROCK FIBERGLASS DOORS
PART OR ASSEMBLY:	BUCK & FRAME ANCHORING
NO.	DATE
BY	REVISIONS
DATE:	1/09/17
SCALE:	N.T.S.
DWG. BY:	JK
CHK. BY:	LFS
DRAWING NO.:	TX-4818
SHEET	5 OF 6

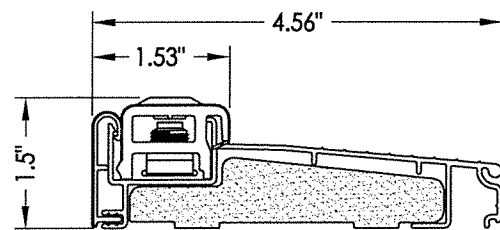
BILL OF MATERIALS		
ITEM #	DESCRIPTION	MATERIAL
A	2X FRAMING (G >= 0.42)	WOOD
C	1/4" MAX. SHIM SPACE	-
L	#10 X 2-1/2" PFH WOOD SCREW (1.15" MIN. EMBEDMENT)	STEEL
1	FRAME (SURE JAMB)	COMP
6	WEATHERSTRIP (Q-LON)	FOAM
8	SWEEP	VINYL
13	INSWING THRESHOLD	ALUM/COMP
14	OUTSWING THRESHOLD	ALUM/COMP
23	#10 x 3/4" PFH WOOD SCREW	STEEL
24	#10 x 1" PFH WOOD SCREW	STEEL
25	#8 x 2-1/2" PFH WOOD SCREW	STEEL
27	LATCH STRIKE PLATE	STEEL
28	DEADBOLT STRIKE PLATE	STEEL
29	4" X 4" HINGE	STEEL
40	DOOR PANEL	-



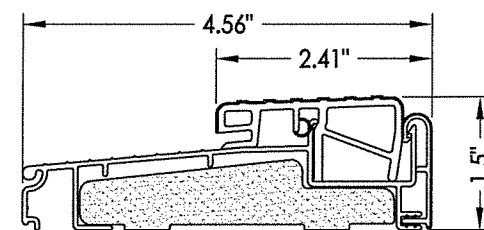
1 FRAME  
Sure Jamb



8 SWEEP



13 INSWING THRESHOLD  
ENDURA (Z-SERIES)

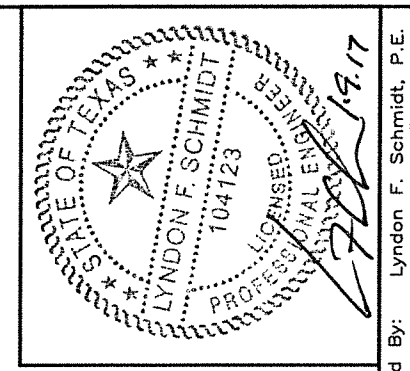


14 OUTSWING THRESHOLD  
ENDURA (Z-SERIES)

**CONCRETE ANCHOR NOTES:**

- Concrete anchor locations at the corners may be adjusted to maintain the min. edge distance to mortar joints.
- Concrete anchor locations noted as "MAX. ON CENTER" must be adjusted to maintain the min. edge distance to mortar joints, additional concrete anchors may be required to ensure the "MAX. ON CENTER" dimension are not exceeded.
- Concrete anchor table:

ANCHOR TYPE	ANCHOR SIZE	MIN. EMBEDMENT	MIN. CLEARANCE TO MASONRY EDGE	MIN. CLEARANCE TO ADJACENT ANCHOR
ITW TAPCON®	1/4"	1-3/4"	2"	4"
ELCO ULTRACON®	1/4"	1-3/4"	1"	4"



Documents Prepared By: Lyndon F. Schmidt, P.E.  
TEXAS P.E. #104123

RW BUILDING CONSULTANTS, INC.  
P.O. Box 230 Valrico FL 33595  
Phone No.: 813.659.9197  
TEXAS BOARD OF PROFESSIONAL ENGINEERS  
CERTIFICATE OF REGISTRATION # F-11852

PRODUCT: SURE ROCK FIBERGLASS DOORS  
PART OR ASSEMBLY: BILL OF MATERIALS & COMPONENTS

NO.	DATE	BY	REVISIONS

DATE: 1/09/17  
SCALE: N.T.S.  
DWG. BY: JK  
CHK. BY: LFS  
DRAWING NO.: TX-4818  
SHEET 6 OF 6