



# SURE ROCK GLAZED FIBERGLASS ENTRY DOORS

## IN SWING / OUT SWING "NON-IMPACT"

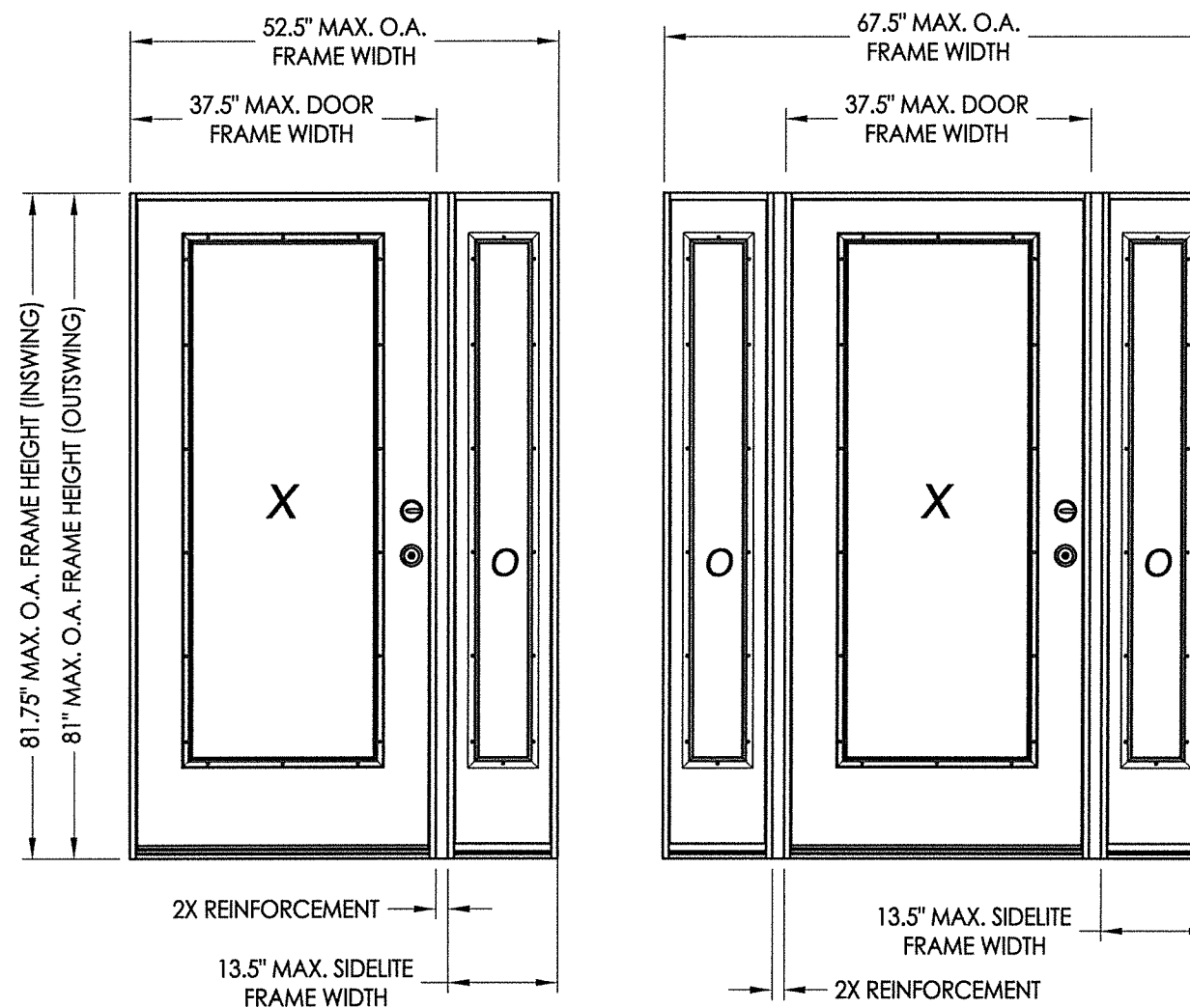
### EVALUATED FOR USE IN THE STATE OF TEXAS

The Fiberglass Door described herein complies with the 2006 International Residential Code (IRC), Sections R301 & R613 and the 2006 International Building Code (IBC), Sections 1405.12, 1609, 1714.5, 2403 and 2404 (including Texas revisions) subject to the following conditions:

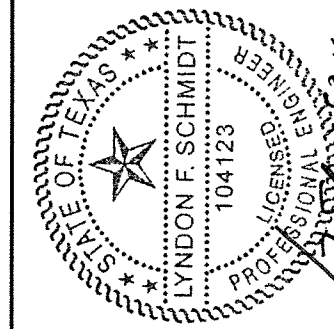
1. Anchors shall be as listed and spaced as shown in the details. Anchor embedment to base material shall be beyond wall dressing or stucco.
2. When used in areas requiring wind-borne debris protection this product is required to be protected with an impact resistant covering that complies with Section R301.2.1.2 of the IRC and Section 1609.1.2 of the IBC.
3. Allowable design pressure requirements must be equal to or less than the design pressure rating shown in the design pressure chart, sheet 1 of this drawing.
4. Conditions not covered by this drawing are subject to further engineering analysis.

### TABLE OF CONTENTS

SHEET #	DESCRIPTION
1	Typical Elevations, Design Pressures & General Notes
2	Door Panel Details
3	Sidelite Panel Details
4	Elevations
5	Horizontal & Vertical Cross Sections
6	Vertical Cross Sections
7	Frame Anchoring
8	Bill of Materials & Components



CONFIGURATION	MAX. FRAME DIMENSION	REINFORCEMENT	DESIGN PRESSURE (PSF) INSWING		DESIGN PRESSURE (PSF) OUTSWING	
			POSITIVE	NEGATIVE	POSITIVE	NEGATIVE
XO/OX	52.5" x 81.75"	2X	+45.0	-45.0	+45.0	-45.0
OXO	67.5" x 81.75"	2X	+45.0	-45.0	+45.0	-45.0



Documents Prepared By: Lyndon F. Schmidt, P.E.  
TEXAS P.E. #104123

RW BUILDING CONSULTANTS, INC.  
P.O. Box 230 Vairico FL 33595  
Phone No.: 813.659.9197

TEXAS BOARD OF PROFESSIONAL ENGINEERS  
CERTIFICATE OF REGISTRATION # F-11852

PRODUCT: SURE ROCK FIBERGLASS DOORS  
PART OR ASSEMBLY: TYPICAL ELEVATION, DESIGN PRESSURES & GENERAL NOTES

NO.	DATE	BY	REVISIONS

DATE: 7/25/16

SCALE: N.T.S.

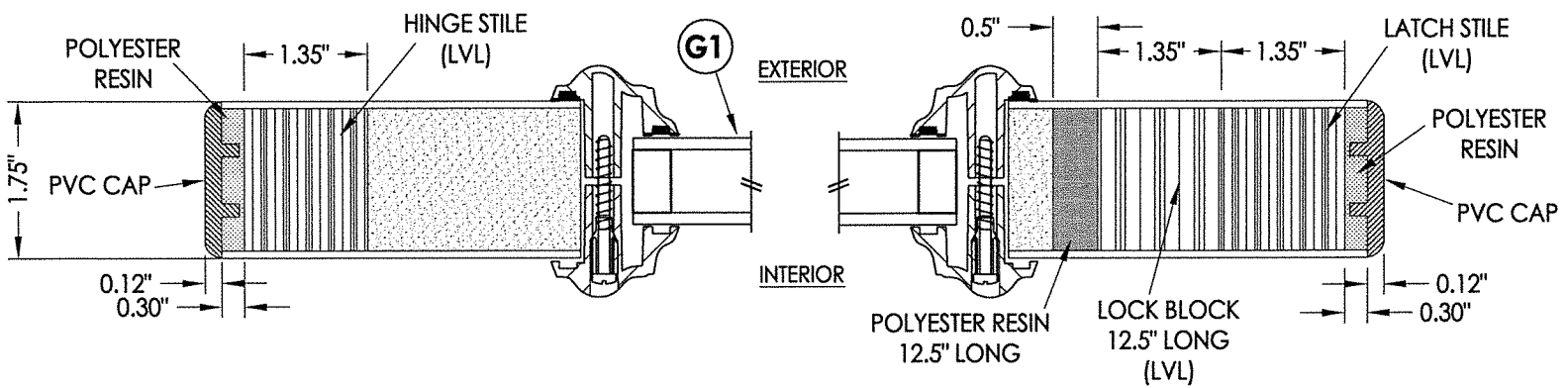
DWG. BY: JK

CHK. BY: LFS

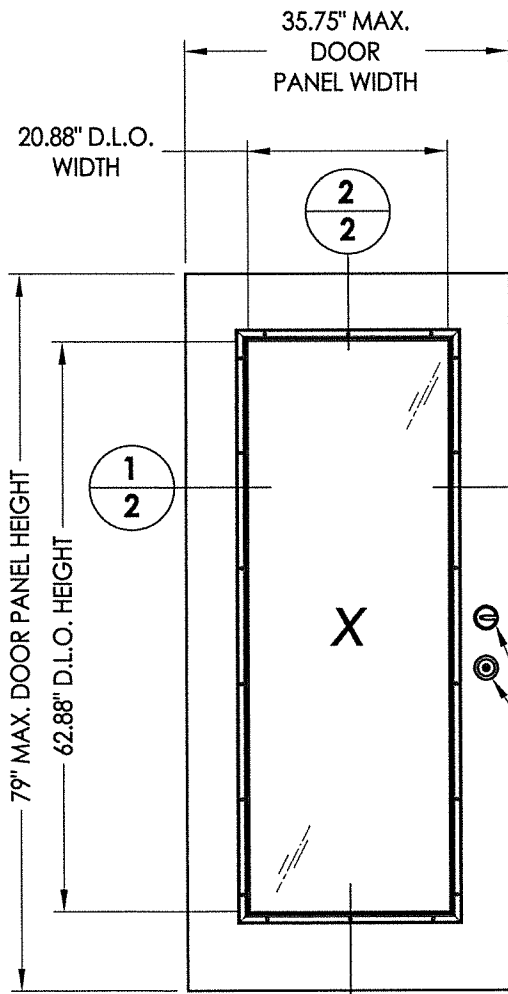
DRAWING NO.: TX-4822

SHEET 1 OF 8

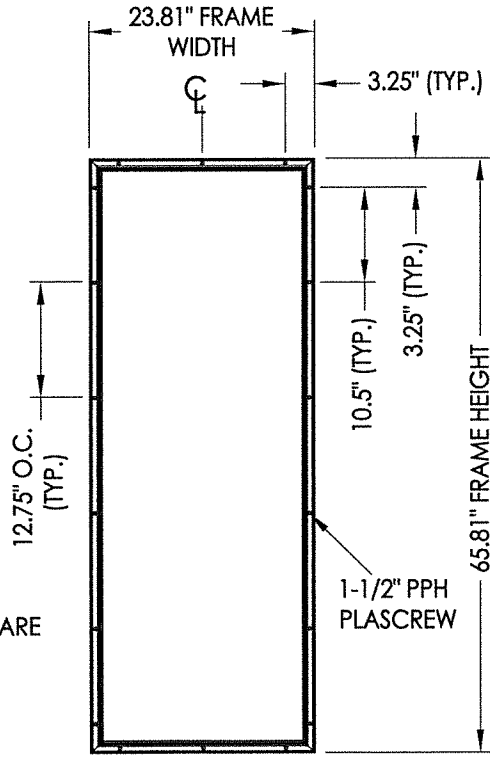
R:\Clients\HM Sure Rock PERMANENT\B - Texas Dept of Ins\New - 6'8 Fiberglass Non-Impact Door - Glazed\C - Drawings\TX-4821-23.dwg, 2.2



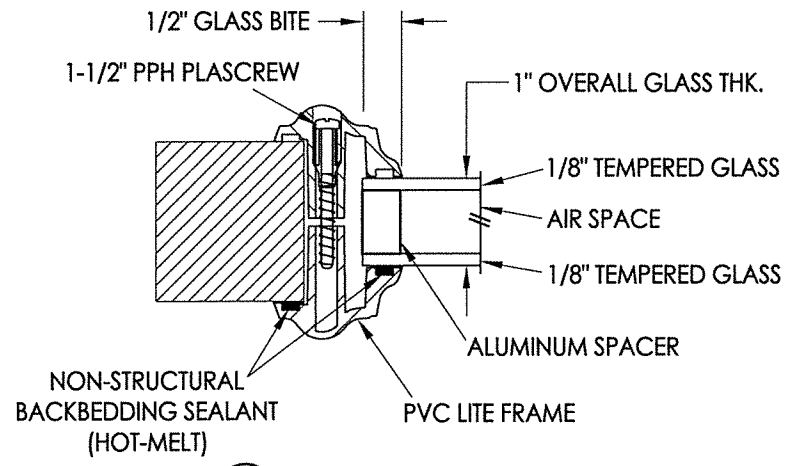
**1**  
**2** **HORIZONTAL CROSS SECTION**



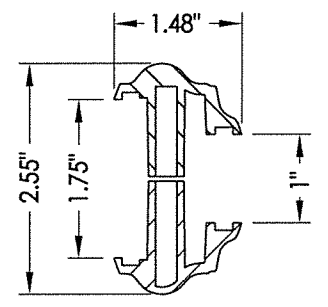
**40** **DOOR PANEL**



**LITE FRAME**

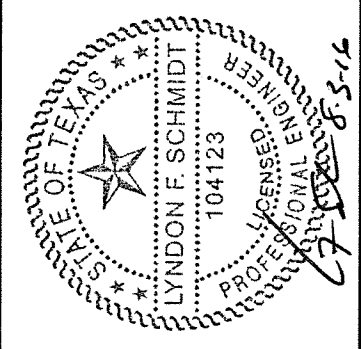


**G1** **GLAZING DETAIL**



**PVC LITE FRAME  
HM SURE ROCK**

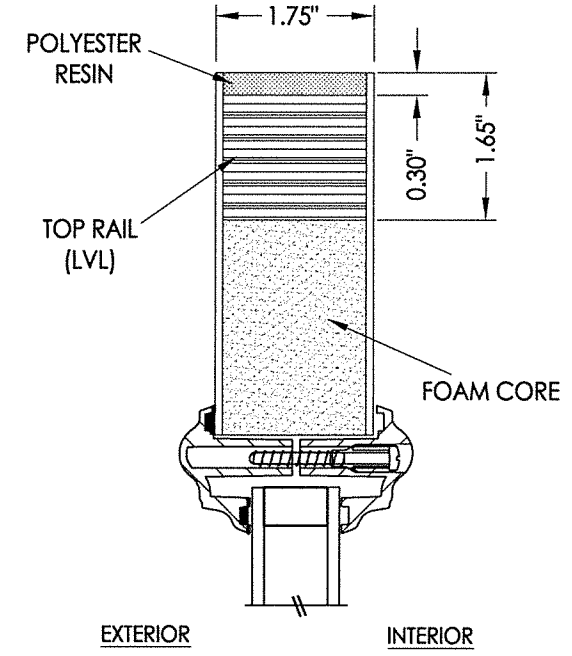
HARDWARE TABLE	
MANUFACTURER	MODEL
KWIKSET	KNOB: Signature Series
	DEADBOLT: Signature Series (980)
SCHLAGE	KNOB: F Series (F51)
	DEADBOLT: B Series (B60N)



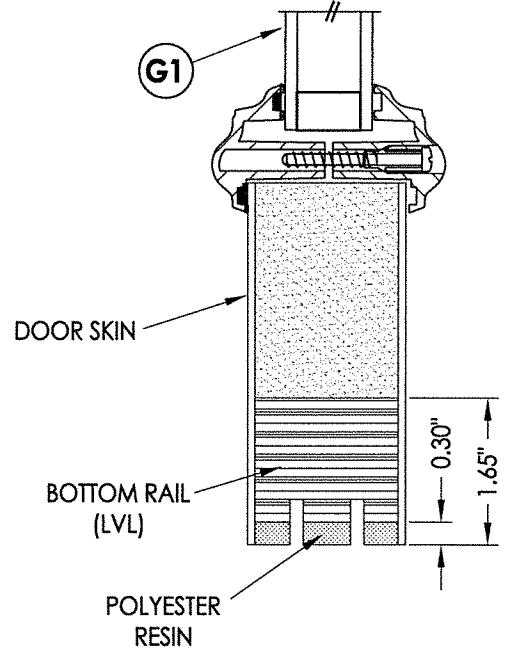
Documents Prepared By: Lyndon F. Schmidt, P.E.  
TEXAS P.E. #104123

**RW** BUILDING CONSULTANTS, INC.  
P.O. Box 230 Valrico FL, 33595  
Phone No.: 813.659.9197

TEXAS BOARD OF PROFESSIONAL ENGINEERS  
CERTIFICATE OF REGISTRATION # F-11852



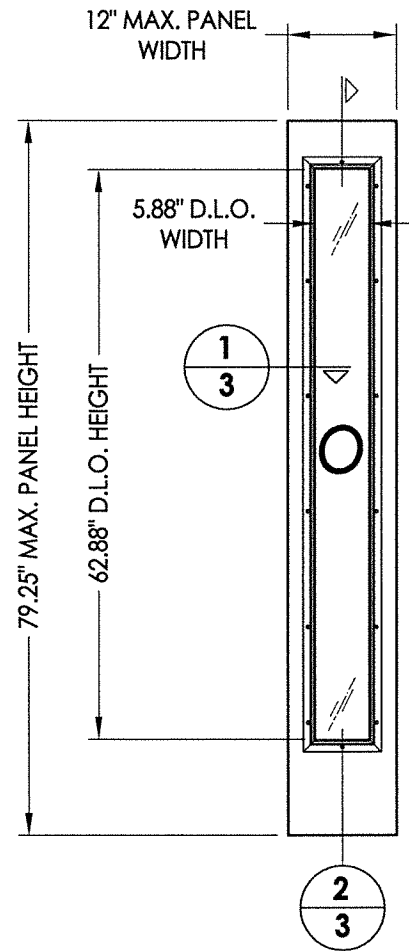
**EXTERIOR** **INTERIOR**



**2**  
**2** **VERTICAL CROSS SECTION**

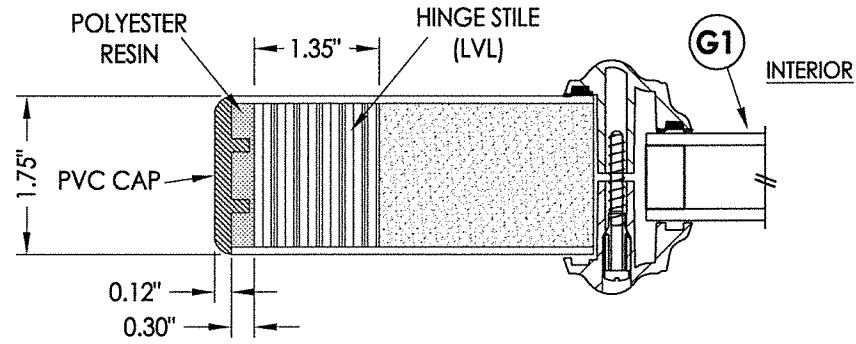
FIBERGLASS DOOR SKIN: MIN. 0.080" THK.  
CORE MATERIAL: POLYURETHANE FOAM (1.9 PCF MIN.)

PRODUCT: SURE ROCK FIBERGLASS DOORS	
PART OR ASSEMBLY: DOOR PANEL DETAILS	
NO.	DATE
BY	REVISIONS
DATE: 7/25/16	
SCALE: N.T.S.	
DWG. BY: JK	
CHK. BY: LFS	
DRAWING NO.: TX-4822	
SHEET 2 OF 8	

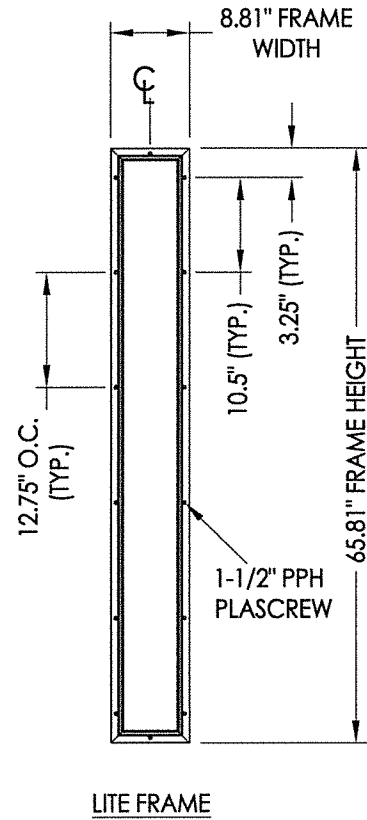


**40 SIDELITE PANEL**

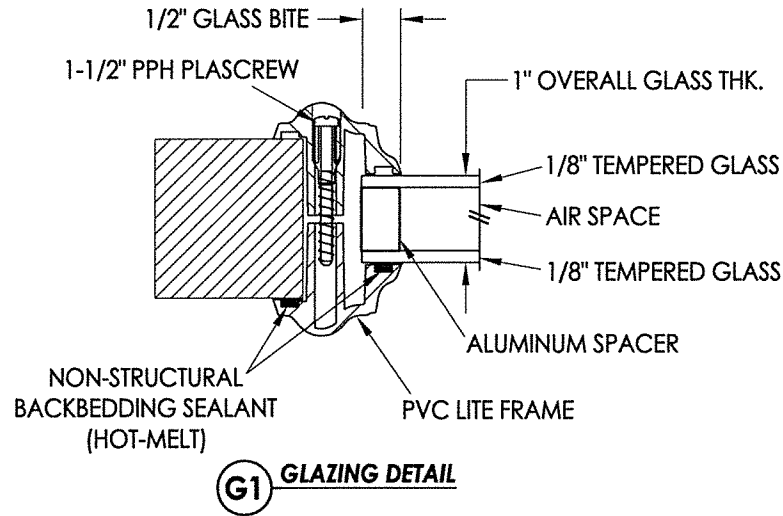
FIBERGLASS SIDELITE SKIN: MIN. 0.070" THK.  
CORE MATERIAL: POLYURETHANE FOAM (1.9 PCF MIN.)



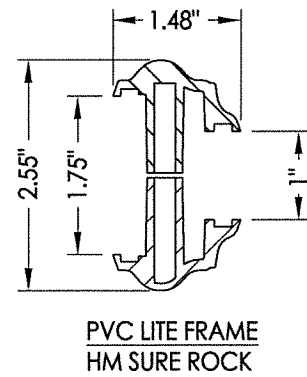
**1 HORIZONTAL CROSS SECTION**



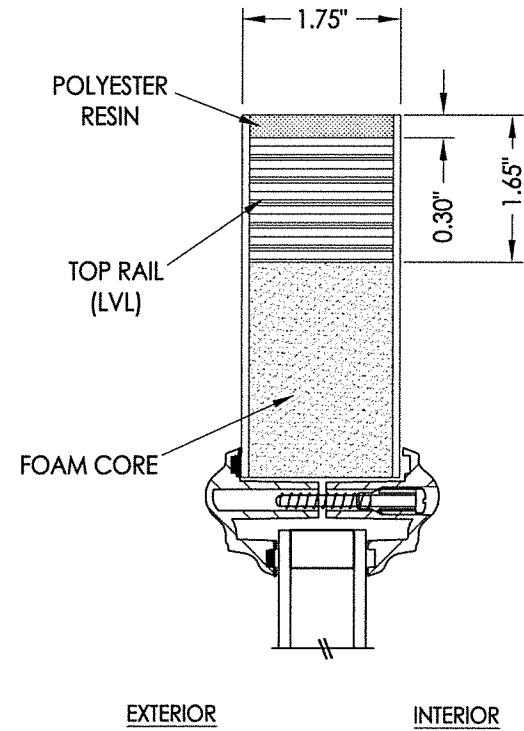
LITE FRAME



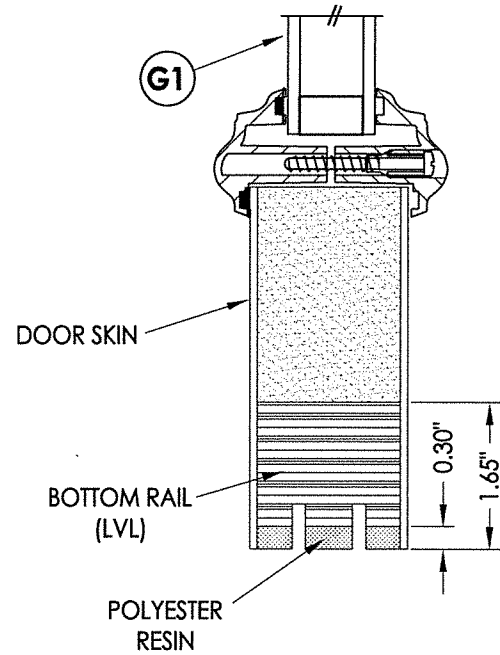
**G1 GLAZING DETAIL**



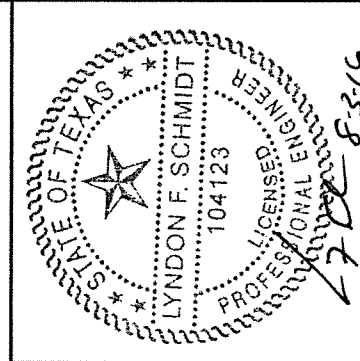
PVC LITE FRAME  
HM SURE ROCK



EXTERIOR INTERIOR



**2 VERTICAL CROSS SECTION**

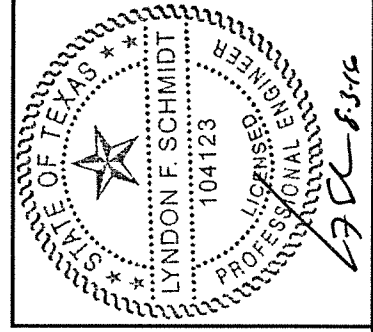
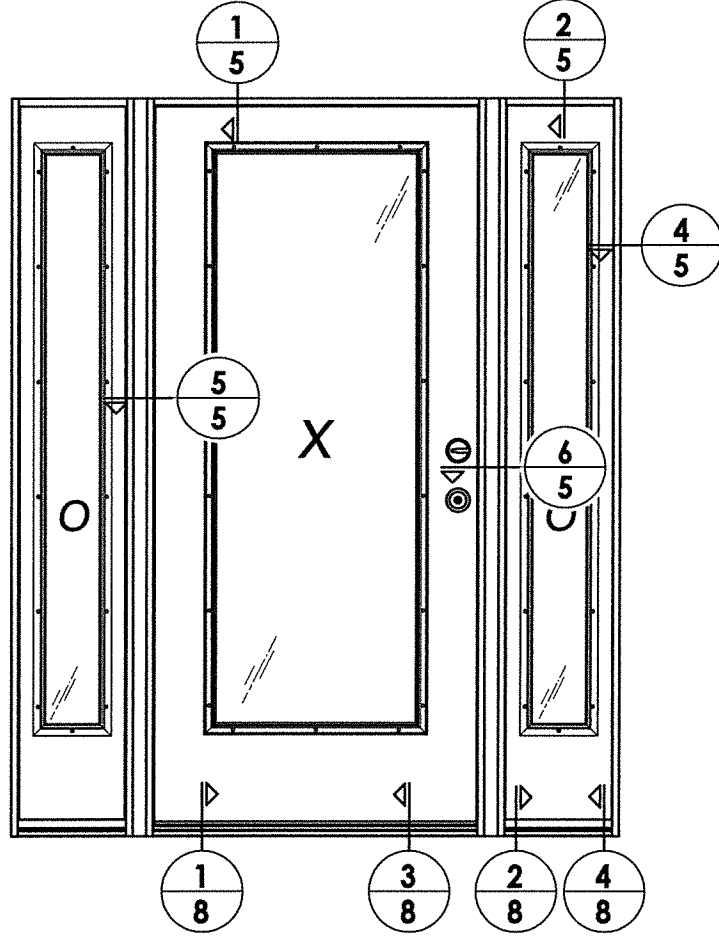
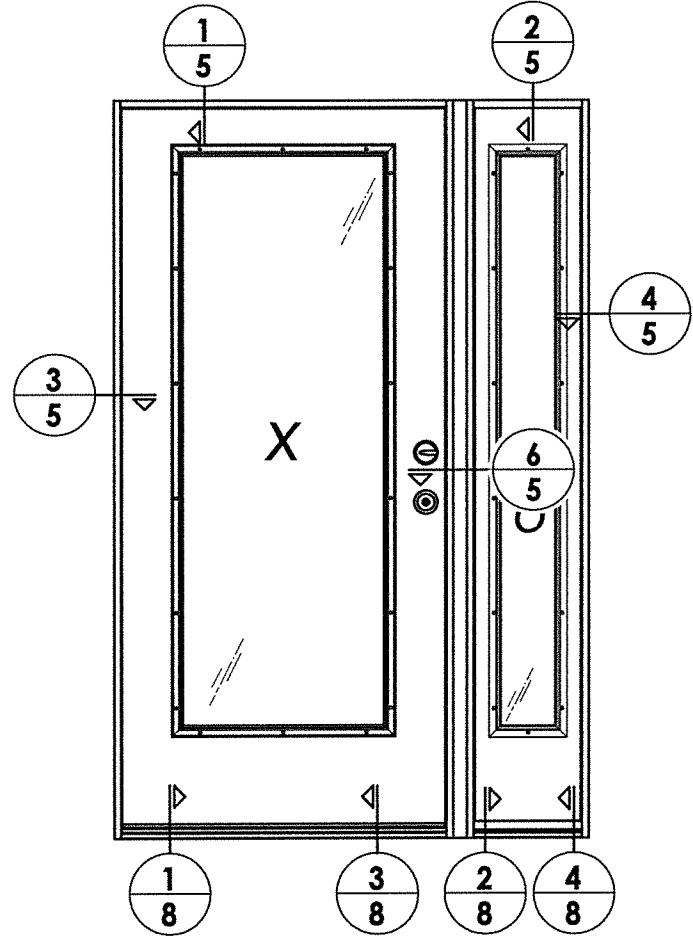


Documents Prepared By: Lyndon F. Schmidt, P.E.  
TEXAS P.E. #104123  
**RW** BUILDING CONSULTANTS, INC.  
P.O. Box 230 Valrico FL, 33595  
Phone No.: 813.659.9197  
TEXAS BOARD OF PROFESSIONAL ENGINEERS  
CERTIFICATE OF REGISTRATION # F-11852

PRODUCT:	SURE ROCK FIBERGLASS DOORS
PART OR ASSEMBLY:	SIDELITE PANEL DETAILS

NO.	DATE	BY

DATE:	7/25/16
SCALE:	N.T.S.
DWG. BY:	JK
CHK. BY:	LFS
DRAWING NO.:	TX-4822
SHEET	3 OF 8



Documents Prepared By: Lyndon F. Schmidt, P.E.  
 TEXAS P.E. #104123

**RW** BUILDING CONSULTANTS, INC.  
 P.O. Box 230 Valrico FL, 33595  
 Phone No.: 813.659.9197

TEXAS BOARD OF PROFESSIONAL ENGINEERS  
 CERTIFICATE OF REGISTRATION # F-11852

PRODUCT: SURE ROCK FIBERGLASS DOORS

PART OR ASSEMBLY: ELEVATIONS

NO.	DATE	BY

DATE: 7/25/16

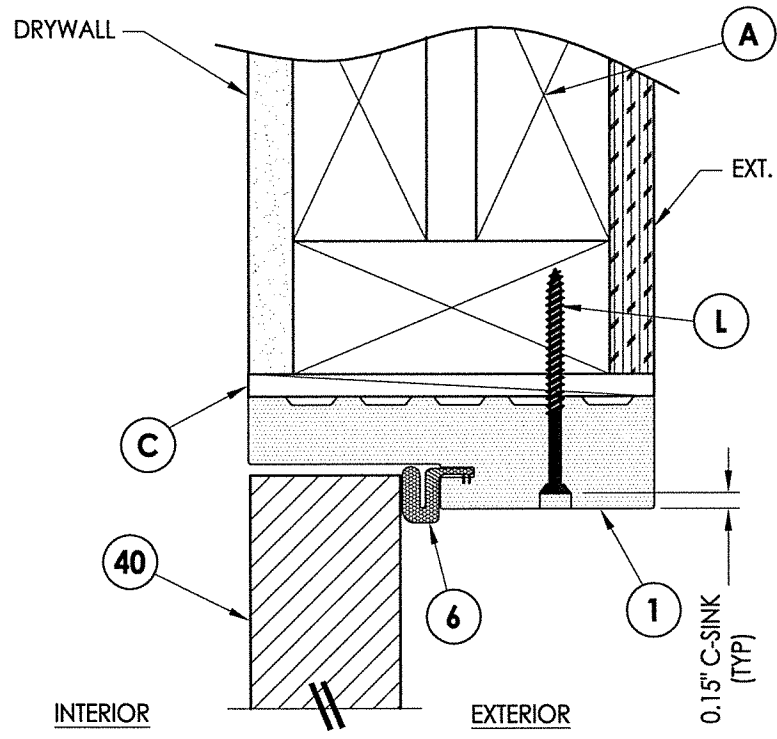
SCALE: N.T.S.

DWG. BY: JK

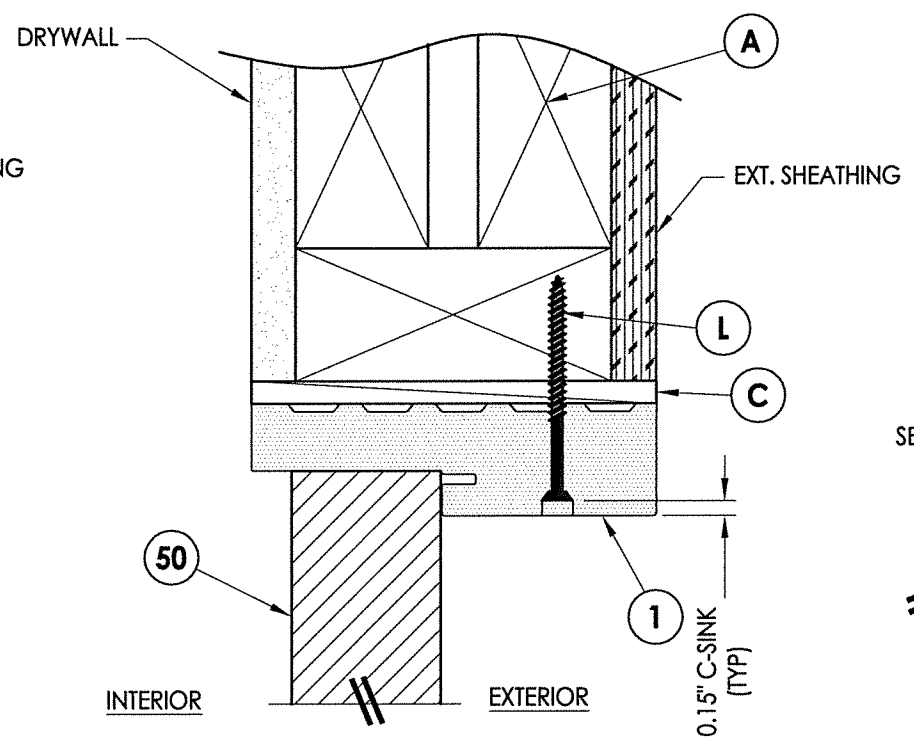
CHK. BY: LFS

DRAWING NO.: TX-4822

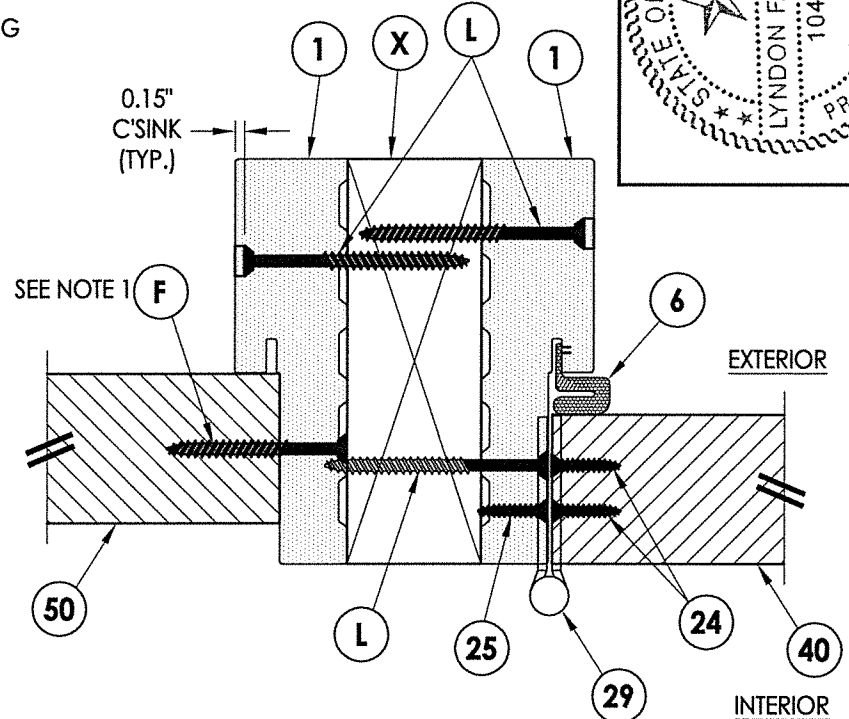
SHEET 4 OF 8



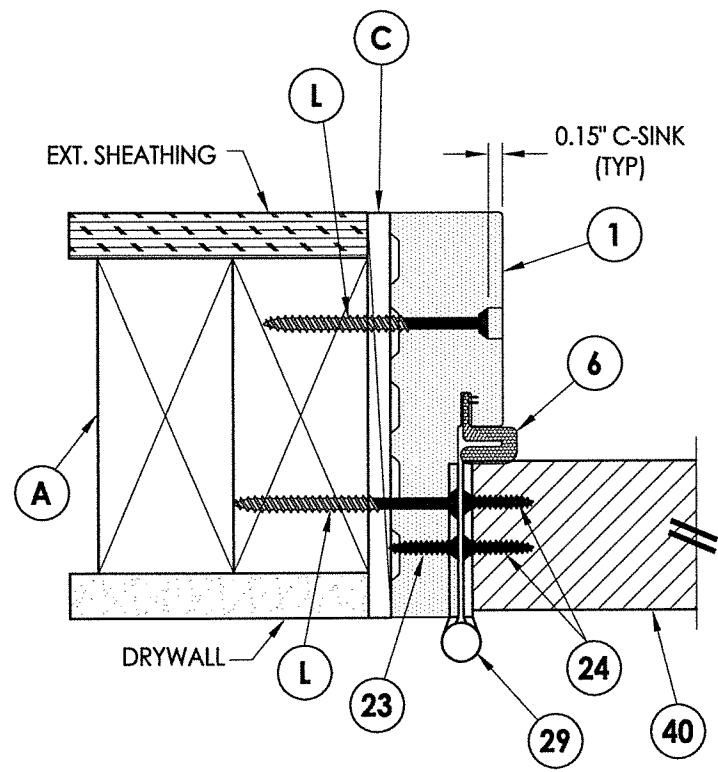
**1** VERTICAL CROSS SECTION  
**5** Inswing shown (Outswing similar)



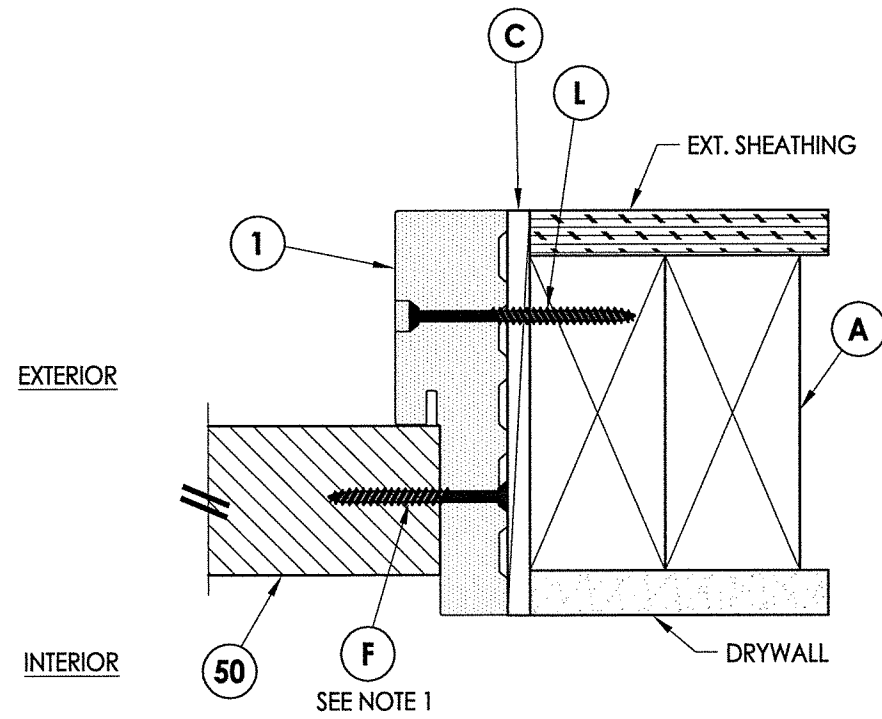
**2** VERTICAL CROSS SECTION  
**5** Inswing shown (Outswing similar)



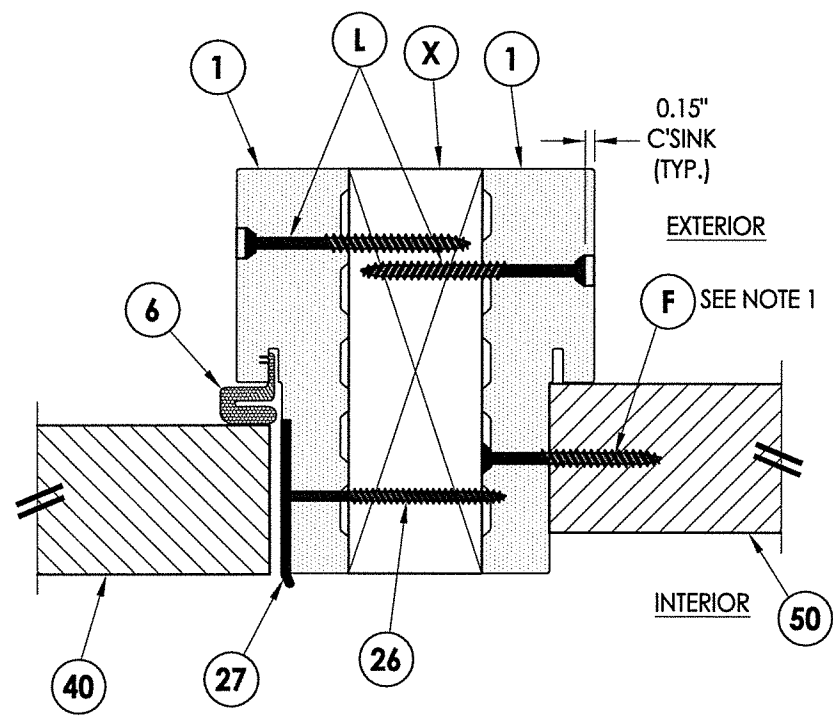
**5** HORIZONTAL CROSS SECTION  
**5** Inswing shown (Outswing similar)



**3** HORIZONTAL CROSS SECTION  
**5** Inswing shown (Outswing similar)

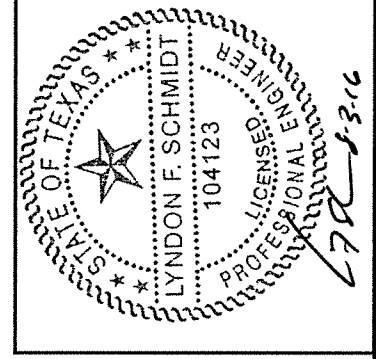


**4** HORIZONTAL CROSS SECTION  
**5** Inswing shown (Outswing similar)



**6** HORIZONTAL CROSS SECTION  
**5** Inswing shown (Outswing similar)

NOTE:  
1. Spacing for item F: 6" from ends and 4 more equally spaced along sidelite (6 total).



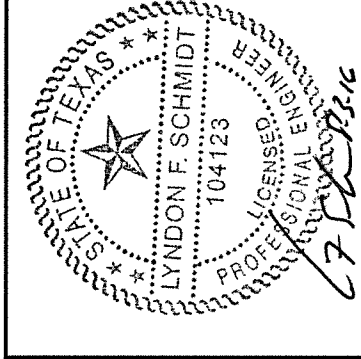
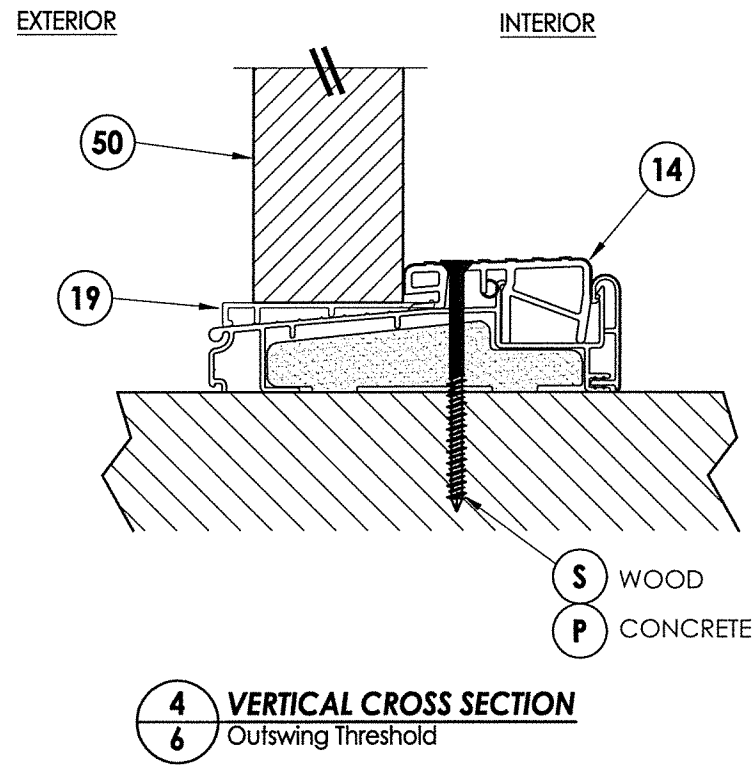
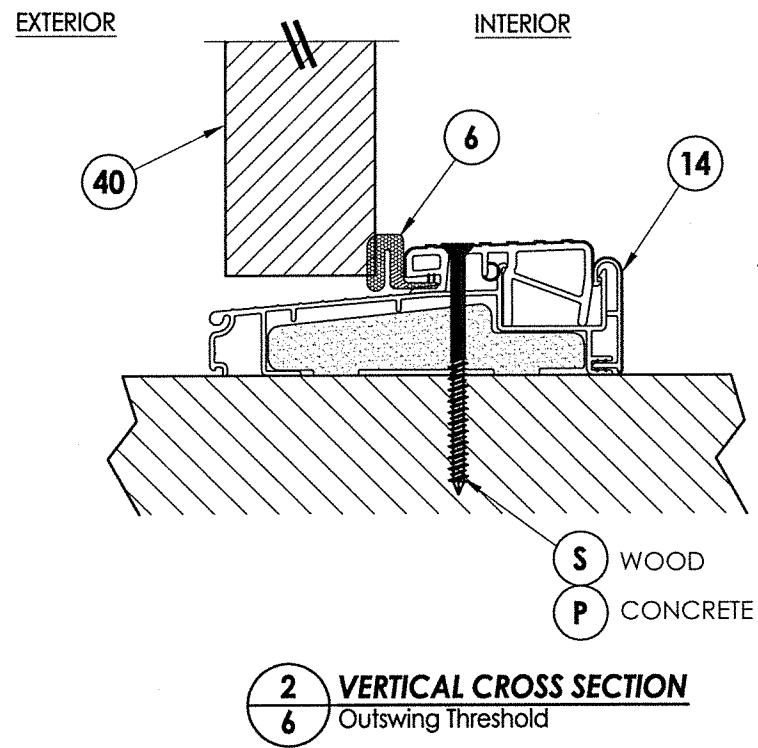
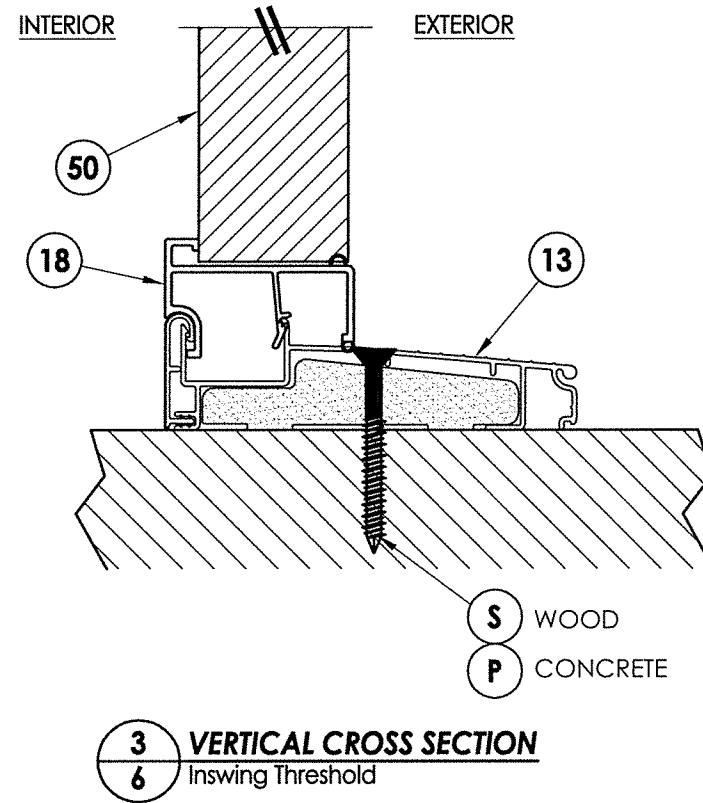
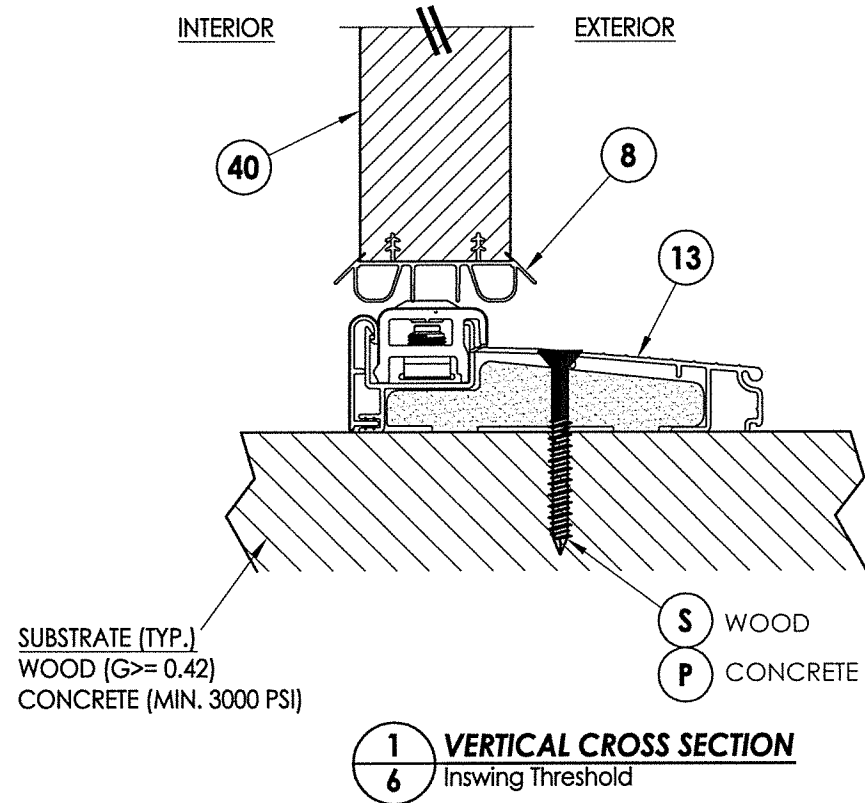
Documents Prepared By: Lyndon F. Schmidt, P.E.  
TEXAS P.E. #104123  
**RW** BUILDING CONSULTANTS, INC.  
P.O. Box 230 Valrico FL, 33595  
Phone No.: 813.659.9197  
TEXAS BOARD OF PROFESSIONAL ENGINEERS  
CERTIFICATE OF REGISTRATION # F-11852

PRODUCT: SURE ROCK FIBERGLASS DOORS  
PART OR ASSEMBLY: HORIZONTAL & VERTICAL CROSS SECTIONS

NO.	DATE	BY	REVISIONS

DATE: 7/25/16  
SCALE: N.T.S.  
DWG. BY: JK  
CHK. BY: LFS  
DRAWING NO.: TX-4822  
SHEET 5 OF 8

R:\Clients\HM Sure Rock PERMANENT\B - Texas Dept of Ins\New - 6'8 Fiberglass Non-Impact Door - Glazed\C - Drawings\TX-4821-23.dwg, 6.2



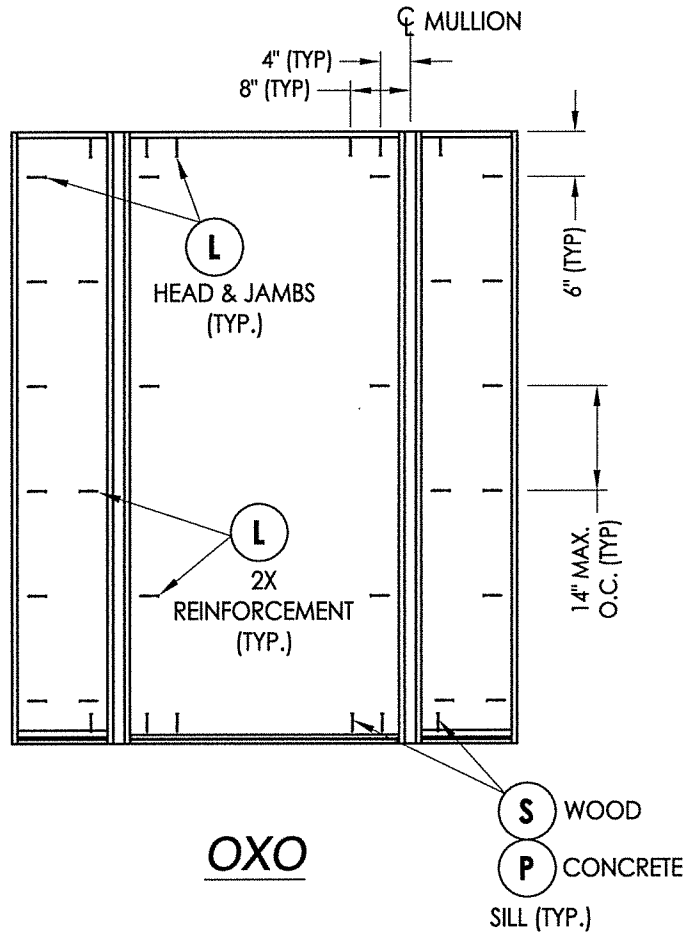
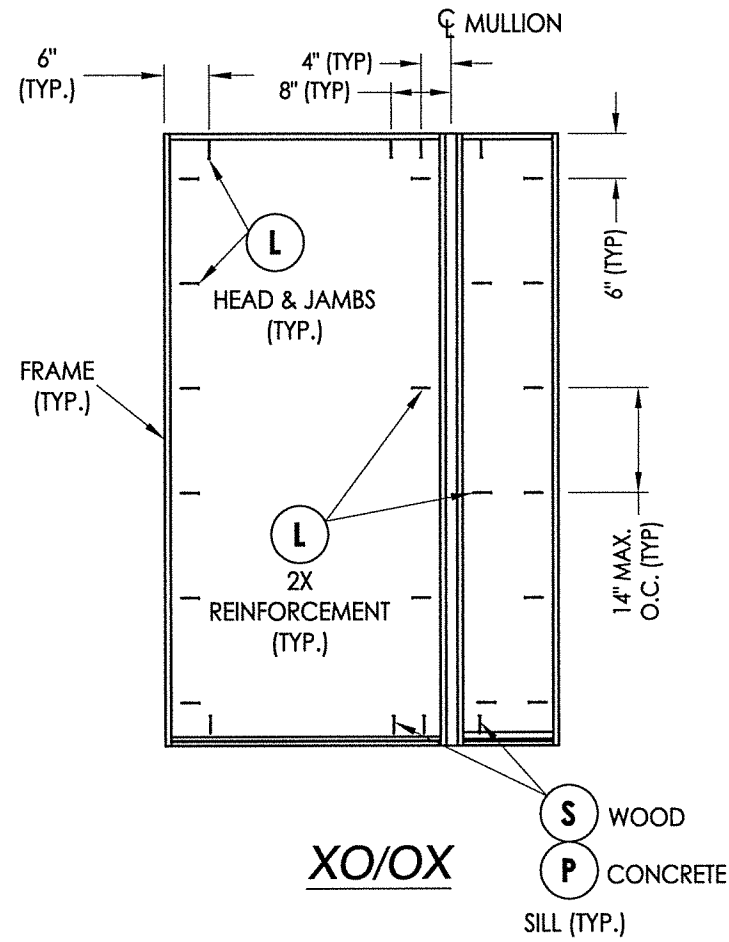
Documents Prepared By: Lyndon F. Schmidt, P.E.  
TEXAS P.E. #104123

**RW** BUILDING CONSULTANTS, INC.  
P.O. Box 230 Valrico FL 33595  
Phone No.: 813.659.9197

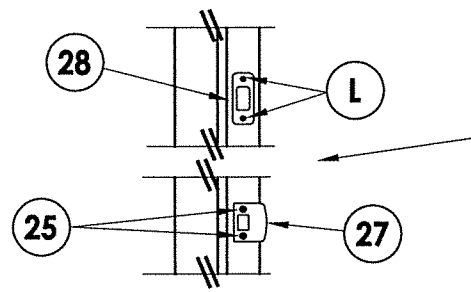
TEXAS BOARD OF PROFESSIONAL ENGINEERS  
CERTIFICATE OF REGISTRATION # F-11852

PRODUCT: SURE ROCK FIBERGLASS DOORS	
PART OR ASSEMBLY: VERTICAL CROSS SECTIONS	
NO.	DATE
BY	REVISIONS
DATE: 7/25/16	
SCALE: N.T.S.	
DWG. BY: JK	
CHK. BY: LFS	
DRAWING NO.: TX-4822	
SHEET 6 OF 8	

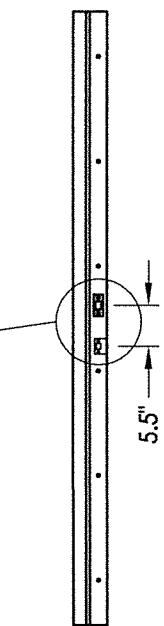
© 2016 R.W. BUILDING CONSULTANTS INC.



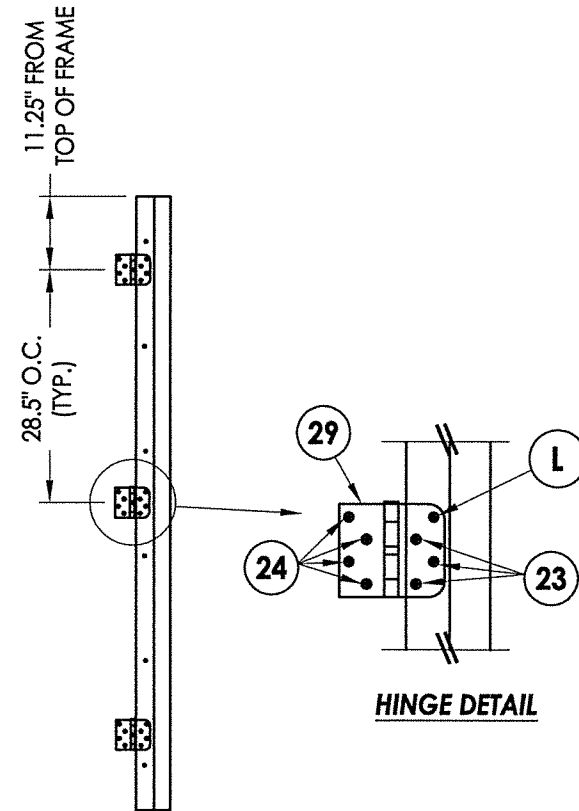
**FRAME ANCHORING**



**LATCH AND DEADBOLT STRIKE PLATE DETAILS**

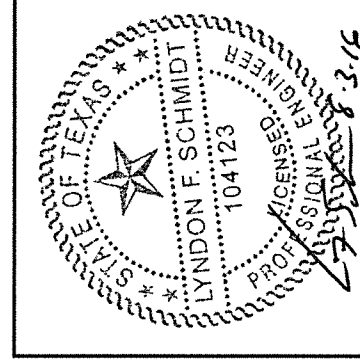


**STRIKE JAMB**



**HINGE DETAIL**

**HINGE JAMB**



Documents Prepared By: Lyndon F. Schmidt, P.E.  
TEXAS P.E. #104123

**RW** BUILDING CONSULTANTS, INC.  
P.O. Box 230 Valrico FL, 33595  
Phone No.: 813.659.9197

TEXAS BOARD OF PROFESSIONAL ENGINEERS  
CERTIFICATE OF REGISTRATION # F-11852

PRODUCT: SURE ROCK FIBERGLASS DOORS	
PART OR ASSEMBLY: FRAME ANCHORING	
NO.	DATE
BY	REVISIONS
DATE: 7/25/16	
SCALE: N.T.S.	
DWG. BY: JK	
CHK. BY: LFS	
DRAWING NO.: TX-4822	
SHEET 7 OF 8	



R:\Clients\HM Sure Rock PERMANENT\B - Texas Dept of Ins\New - 6'8 Fiberglass Non-Impact Door - Glazed\C - Drawings\TX-4821-23.dwg, 8.2

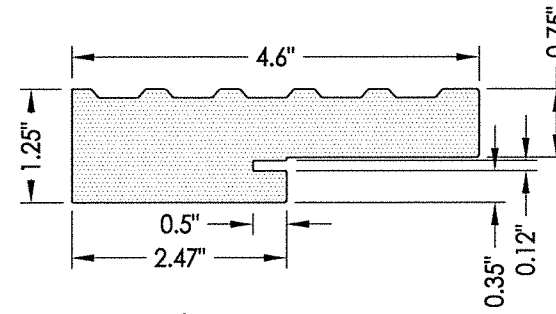
**BILL OF MATERIALS**

ITEM #	DESCRIPTION	MATERIAL
A	2X FRAMING (G >= 0.42)	WOOD
C	1/4" MAX. SHIM SPACE	-
L	#10 X 2-1/2" PFH WOOD SCREW (1.15" MIN. EMBEDMENT)	STEEL
P	1/4" PFH CONCRETE SCREW (1-3/4" MIN. EMBEDMENT)	STEEL
S	#10 X 3" PFH WOOD SCREW (1-1/2" MIN. EMBEDMENT)	STEEL
X	2X REINFORCEMENT (G >= 0.55)	WOOD
1	FRAME (SURE JAMB)	COMP
6	WEATHERSTRIP (Q-LON)	FOAM
8	SWEEP	VINYL
13	INSWING THRESHOLD	ALUM/COMP
14	OUTSWING THRESHOLD	ALUM/COMP
18	INSWING SIDELITE SPACER	PVC
19	OUTSWING SIDELITE SPACER	PVC
23	#10 x 3/4" PFH WOOD SCREW	STEEL
24	#10 x 1" PFH WOOD SCREW	STEEL
25	#8 x 2-1/2" PFH WOOD SCREW	STEEL
27	LATCH STRIKE PLATE	STEEL
28	DEADBOLT STRIKE PLATE	STEEL
29	4" X 4" HINGE	STEEL
40	DOOR PANEL	-

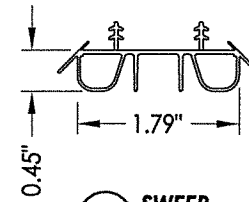
CONCRETE ANCHOR NOTES:

- Concrete anchor locations at the corners may be adjusted to maintain the min. edge distance to mortar joints.
- Concrete anchor locations noted as "MAX. ON CENTER" must be adjusted to maintain the min. edge distance to mortar joints, additional concrete anchors may be required to ensure the "MAX. ON CENTER" dimension are not exceeded.
- Concrete anchor table:

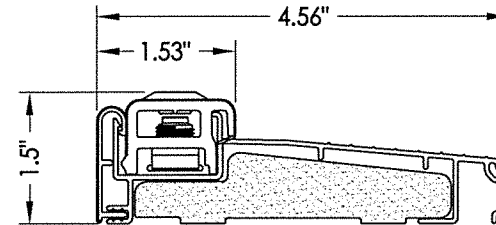
ANCHOR TYPE	ANCHOR SIZE	MIN. EMBEDMENT	MIN. CLEARANCE TO MASONRY EDGE	MIN. CLEARANCE TO ADJACENT ANCHOR
ITW TAPCON®	1/4"	1-3/4"	2"	4"
ELCO ULTRACON®	1/4"	1-3/4"	1"	4"



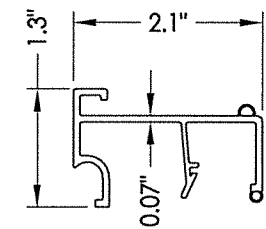
**1 FRAME SURE JAMB**



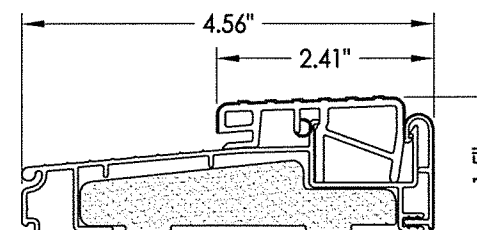
**8 SWEEP**



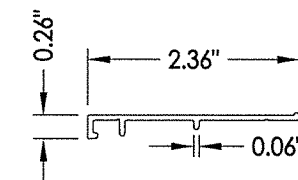
**13 INSWING THRESHOLD ENDURA (Z-SERIES)**



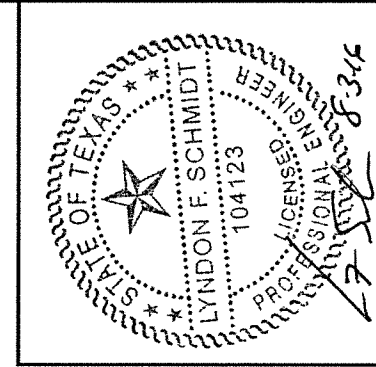
**18 INSWING SIDELITE SPACER**



**14 OUTSWING THRESHOLD ENDURA (Z-SERIES)**



**19 OUTSWING SIDELITE SPACER**



Documents Prepared By: Lyndon F. Schmidt, P.E.  
TEXAS P.E. #104123

RW BUILDING CONSULTANTS, INC.  
P.O. Box 230 Valrico FL 33595  
Phone No.: 813.659.9197

TEXAS BOARD OF PROFESSIONAL ENGINEERS  
CERTIFICATE OF REGISTRATION # F-11852

PRODUCT: SURE ROCK FIBERGLASS DOORS

PART OR ASSEMBLY: BILL OF MATERIALS & COMPONENTS

NO.	DATE	BY	REVISIONS

DATE: 7/25/16

SCALE: N.T.S.

DWG. BY: JK

CHK. BY: LFS

DRAWING NO.: TX-4822

SHEET 8 OF 8