



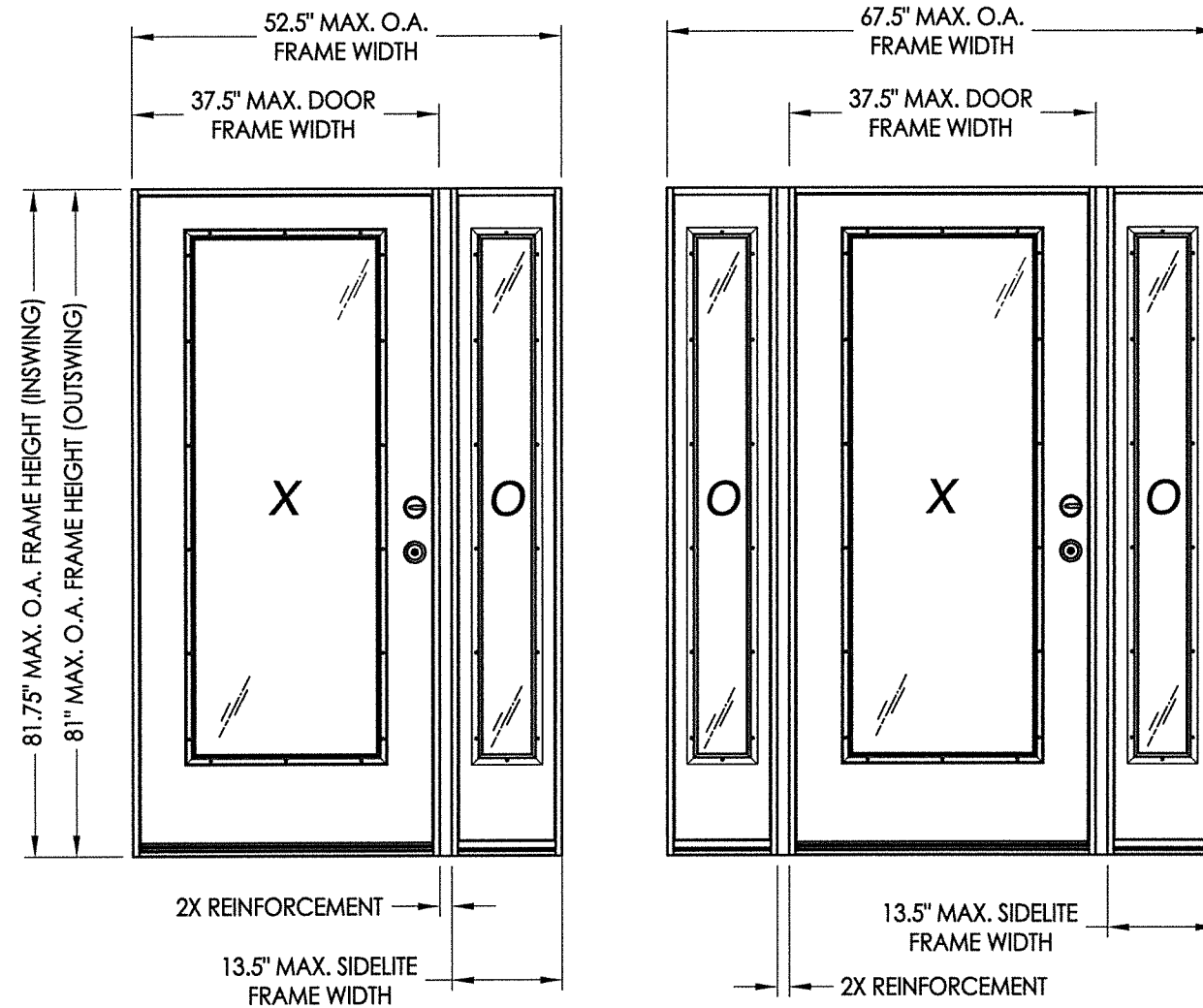
SURE ROCK GLAZED FIBERGLASS ENTRY DOORS IN SWING / OUT SWING "NON-IMPACT"

GENERAL NOTES

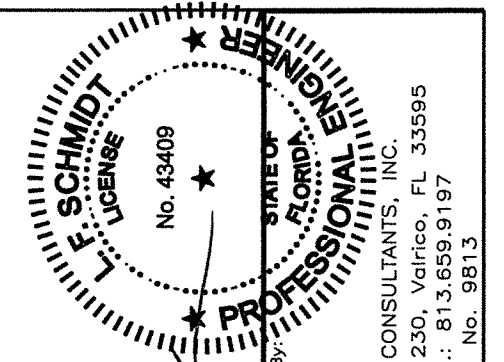
1. This product has been evaluated and is in compliance with the 5th Edition (2014) Florida Building Code (FBC) structural requirements excluding the "High Velocity Hurricane Zone" (HVHZ).
2. Product anchors shall be as listed and spaced as shown on details. Anchor embedment to base material shall be beyond wall dressing or stucco.
3. When used in areas requiring wind borne debris protection, this product is required to be protected with an impact resistant covering that complies with Section 1609.1.2 of the FBC.
4. For 2x stud framing construction, anchoring of these units shall be the same as that shown for 2x buck masonry construction.
5. Site conditions that deviate from the details of this drawing require further engineering analysis by a licensed engineer or registered architect.

TABLE OF CONTENTS

SHEET #	DESCRIPTION
1	Typical Elevations, Design Pressures & General Notes
2	Door Panel Details
3	Sidelite Panel Details
4	Elevations
5	Horizontal & Vertical Cross Sections (2X Buck)
6	Horizontal & Vertical Cross Sections (1X Buck)
7	Horizontal & Vertical Cross Sections (Direct to Masonry)
8	Vertical Cross Sections (Thresholds)
9	Buck Anchoring
10	Frame Anchoring
11	Bill of Materials & Components



CONFIGURATION	MAX. FRAME DIMENSION	REINFORCEMENT	DESIGN PRESSURE (PSF) INSWING		DESIGN PRESSURE (PSF) OUTSWING	
			POSITIVE	NEGATIVE	POSITIVE	NEGATIVE
XO/OX	52.5" x 81.75"	2X	+45.0	-45.0	+45.0	-45.0
OXO	67.5" x 81.75"	2X	+45.0	-45.0	+45.0	-45.0



LFS
6.6.16

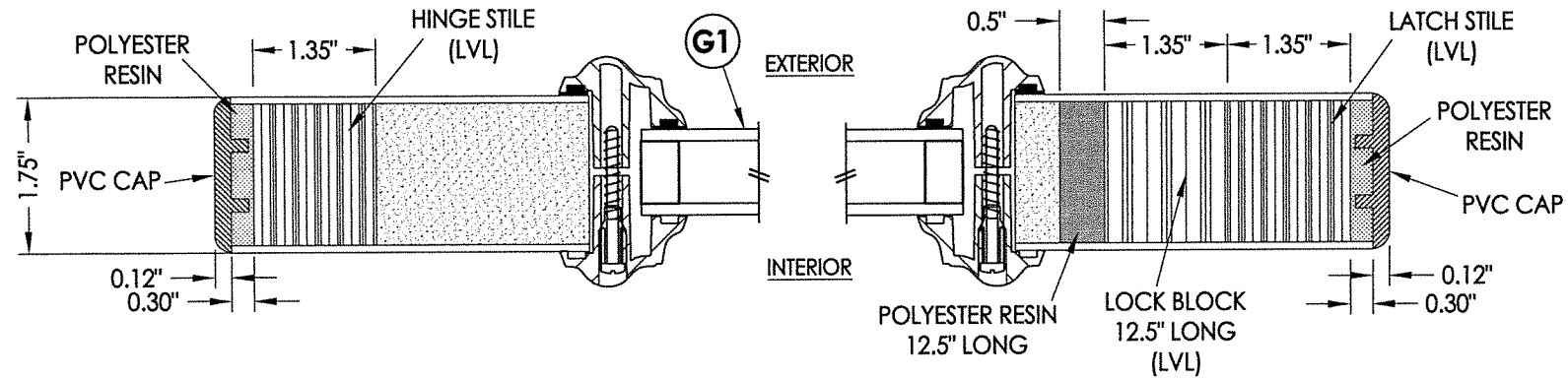
Documents Prepared By:
Lyndon F. Schmidt
P.E. No. 43409
R.W. BUILDING CONSULTANTS, INC.
P.O. Box 230, Vairico, FL 33595
Phone No.: 813.659.9197
FBPE C.A. No. 9813

PRODUCT: SURE ROCK FIBERGLASS DOORS
PART OR ASSEMBLY: TYPICAL ELEVATION, DESIGN PRESSURES & GENERAL NOTES

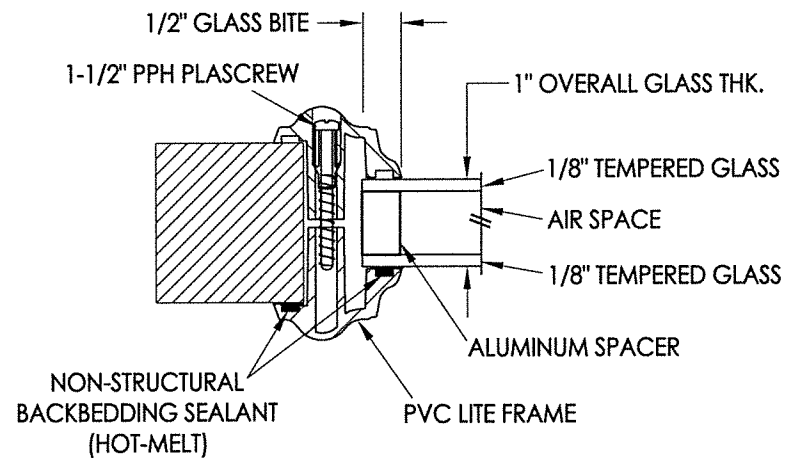
NO.	DATE	BY	REVISIONS

DATE: 5/17/16
SCALE: N.T.S.
DWG. BY: JK
CHK. BY: LFS
DRAWING NO.: FL-20474.5
SHEET 1 OF 11

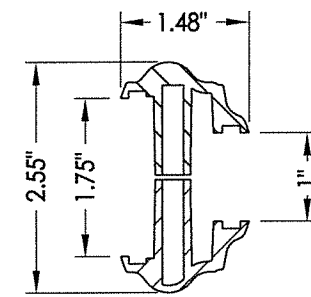
R:\Clients\HM Sure Rock PERMANENT A - Florida Product Approvals\FL-20474\C - Drawings\FL-20474 (2014)\FL-20474.4-6.dwg, 2.2



1
2 HORIZONTAL CROSS SECTION

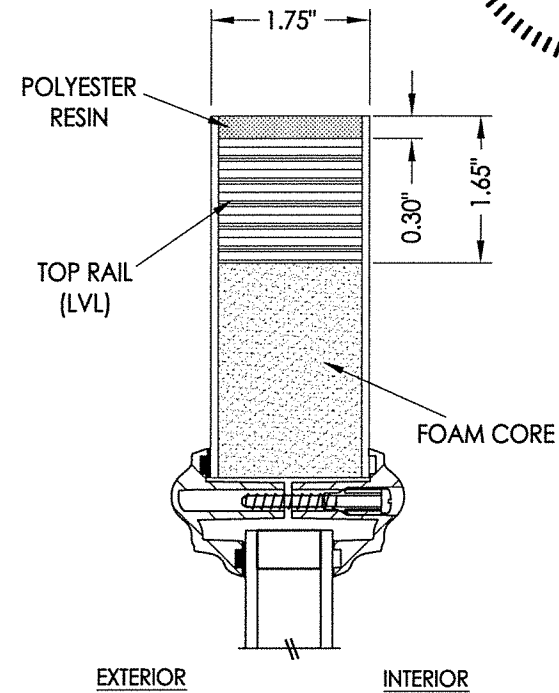


G1 GLAZING DETAIL

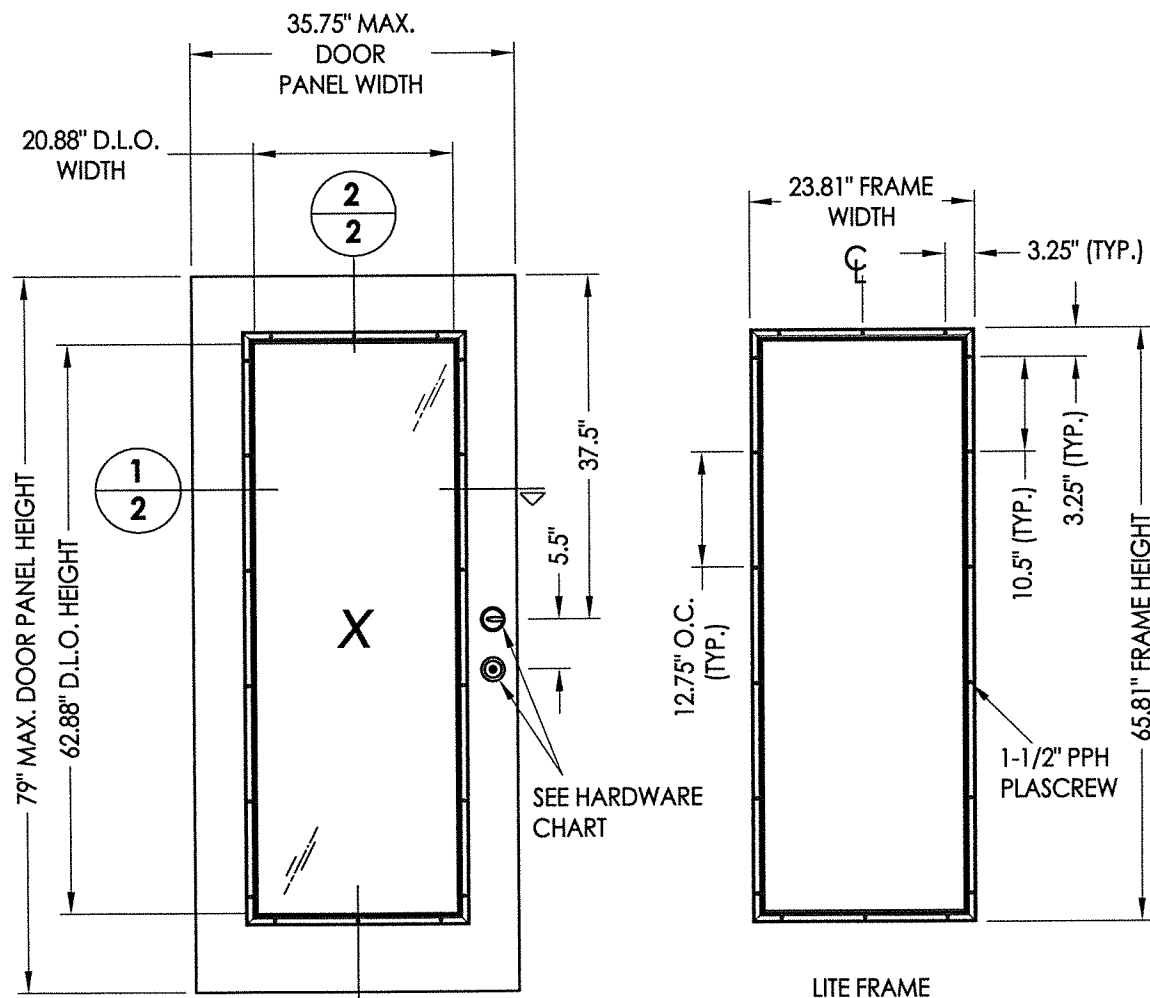


PVC LITE FRAME
HM SURE ROCK

HARDWARE TABLE	
MANUFACTURER	MODEL
KWIKSET	KNOB: Signature Series
	DEADBOLT: Signature Series (980)
SCHLAGE	KNOB: F Series (F51)
	DEADBOLT: B Series (B60N)



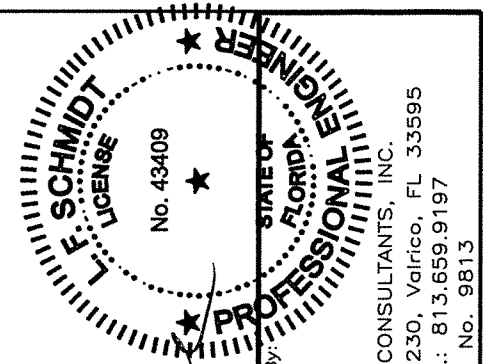
2
2 VERTICAL CROSS SECTION



40 DOOR PANEL

LITE FRAME

FIBERGLASS DOOR SKIN: MIN. 0.080" THK.
CORE MATERIAL: POLYURETHANE FOAM (1.9 PCF MIN.)



Documents Prepared By:
Lyndon F. Schmidt
P.E. No. 43409

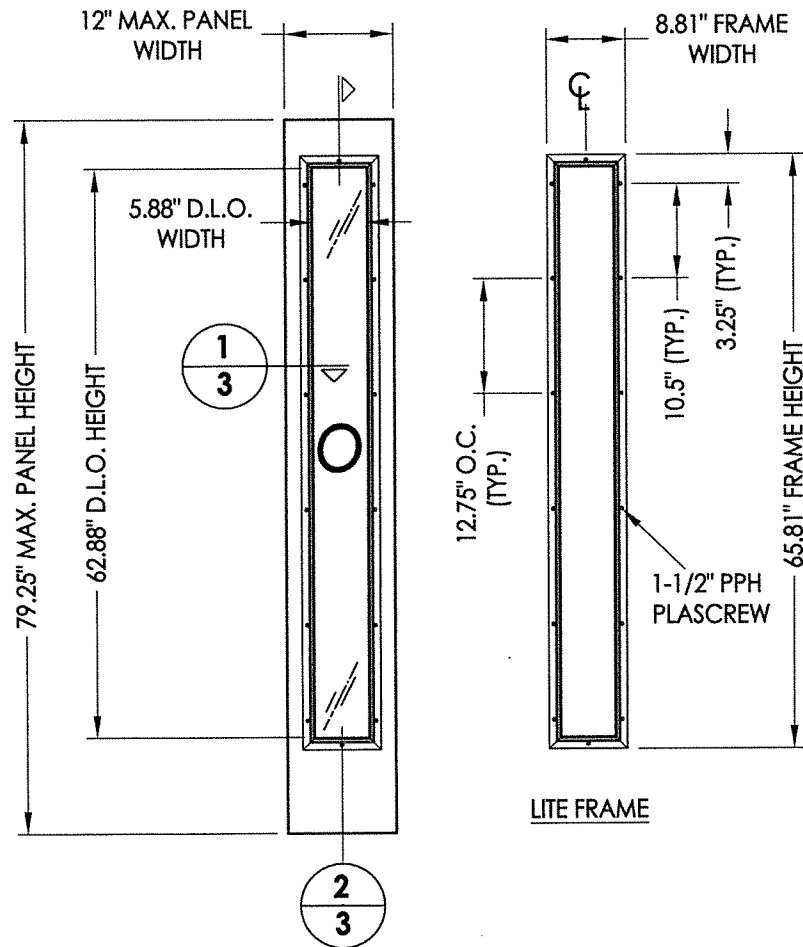
RW BUILDING CONSULTANTS, INC.
P.O. Box 230, Vairico, FL 33595
Phone No.: 813.659.9197
FBPE C.A. No. 9813

PRODUCT:	SURE ROCK FIBERGLASS DOORS
PART OR ASSEMBLY:	DOOR PANEL DETAILS

NO.	DATE	BY

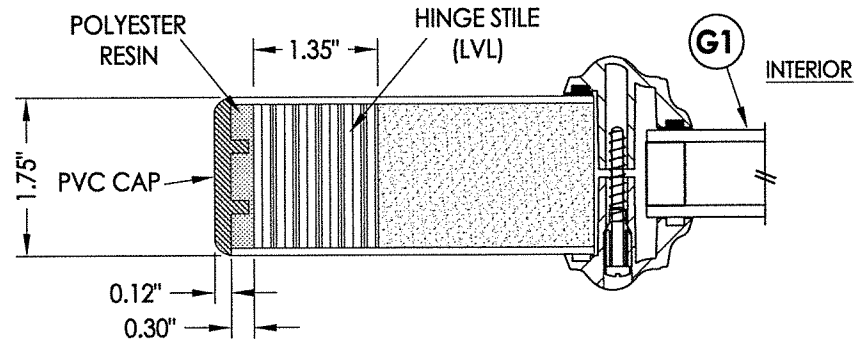
DATE:	5/17/16
SCALE:	N.T.S.
DWG. BY:	JK
CHK. BY:	LFS
DRAWING NO.:	FL-20474.5
SHEET	2 OF 11

R:\Clients\HM Sure Rock PERMANENTVA - Florida Product Approvals\FL-20474\C - Drawings\FL-20474 (2014)\FL-20474.4-6.dwg, 3.2

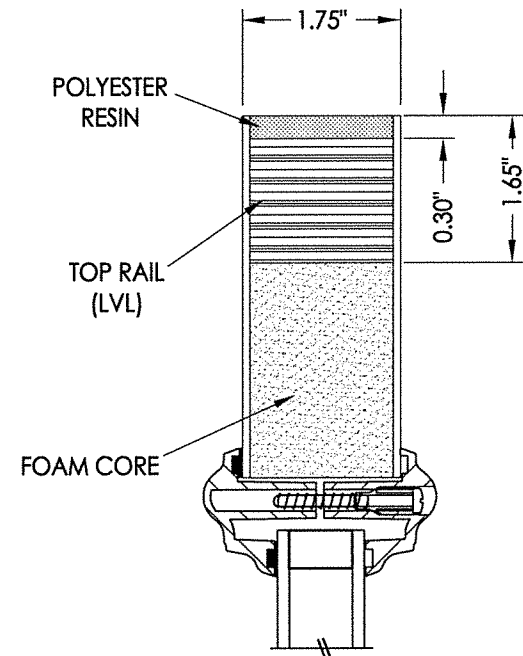


40 SIDELITE PANEL

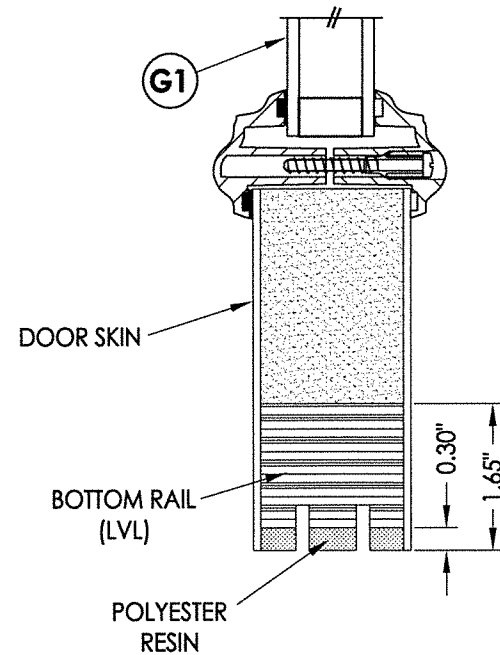
FIBERGLASS SIDELITE SKIN: MIN. 0.070" THK.
CORE MATERIAL: POLYURETHANE FOAM (1.9 PCF MIN.)



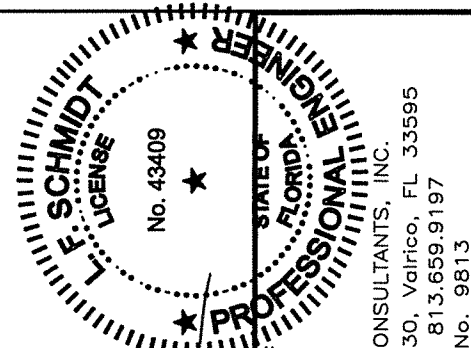
1 HORIZONTAL CROSS SECTION



EXTERIOR INTERIOR



2 VERTICAL CROSS SECTION

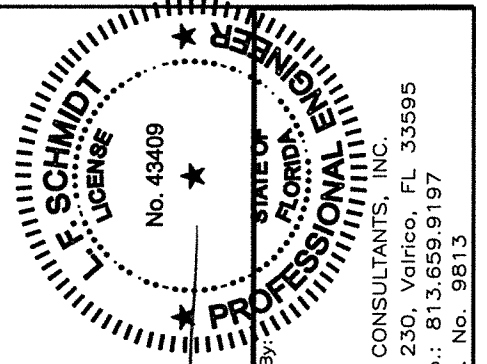
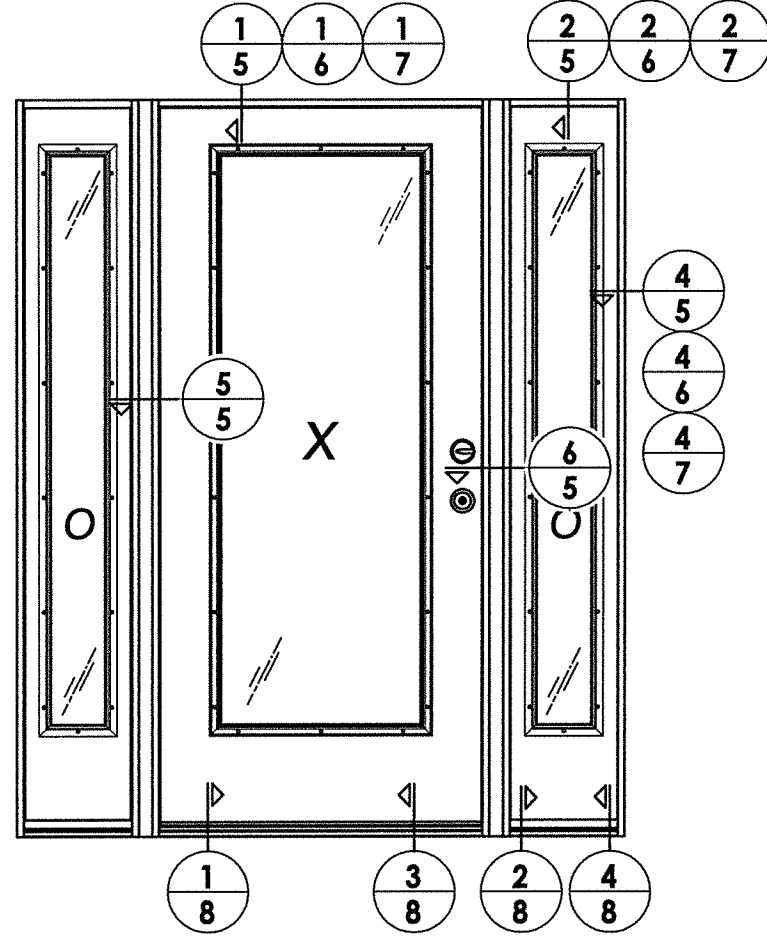
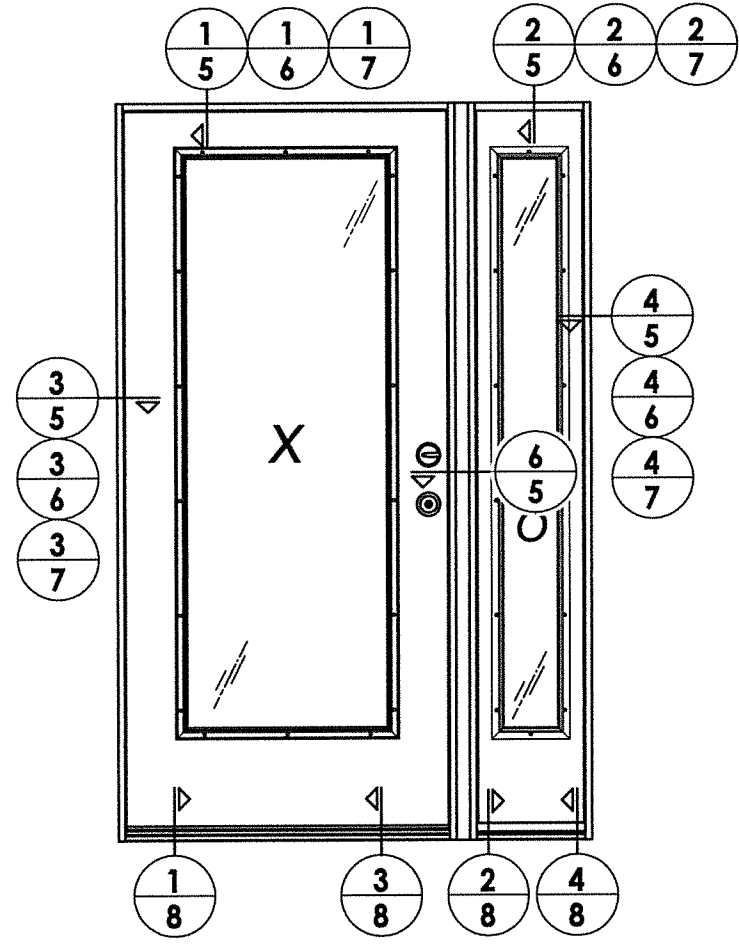


Documents Prepared By:
Lyndon F. Schmidt
P.E. No. 43409
RW BUILDING CONSULTANTS, INC.
P.O. Box 230, Valrico, FL 33595
Phone No.: 813.659.9197
FBPE C.A. No. 9813

PRODUCT:	SURE ROCK FIBERGLASS DOORS
PART OR ASSEMBLY:	SIDELITE PANEL DETAILS

NO.	DATE	BY

DATE:	5/17/16
SCALE:	N.T.S.
DWG. BY:	JK
CHK. BY:	LFS
DRAWING NO.:	FL-20474.5
SHEET	3 OF 11



LFS
6.6.16

Documents Prepared By:
Lyndon F. Schmidt
P.E. No. 43409

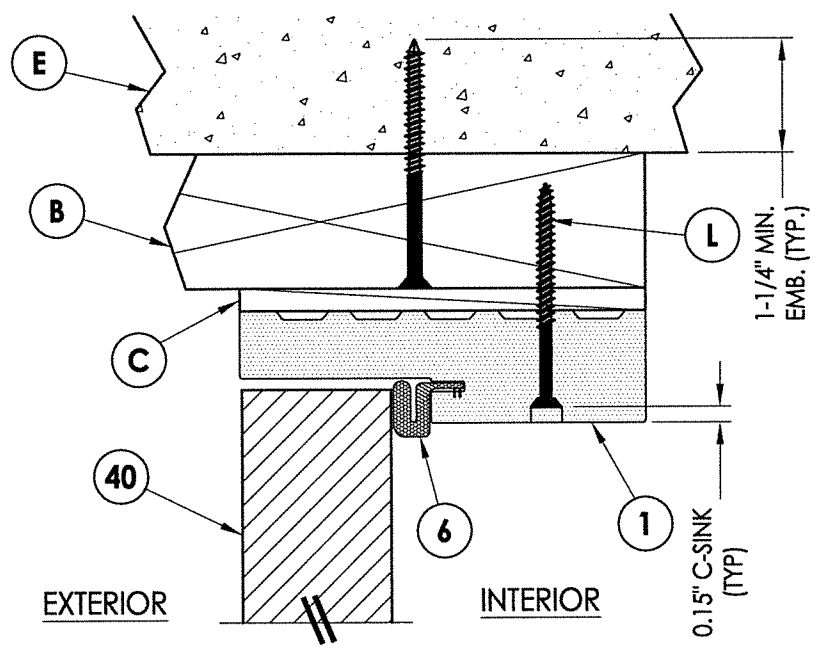
RW
BUILDING CONSULTANTS, INC.
P.O. Box 230, Valrico, FL 33595
Phone No.: 813.659.9197
FBPE C.A. No. 9813

PRODUCT: SURE ROCK FIBERGLASS DOORS
PART OR ASSEMBLY: ELEVATIONS

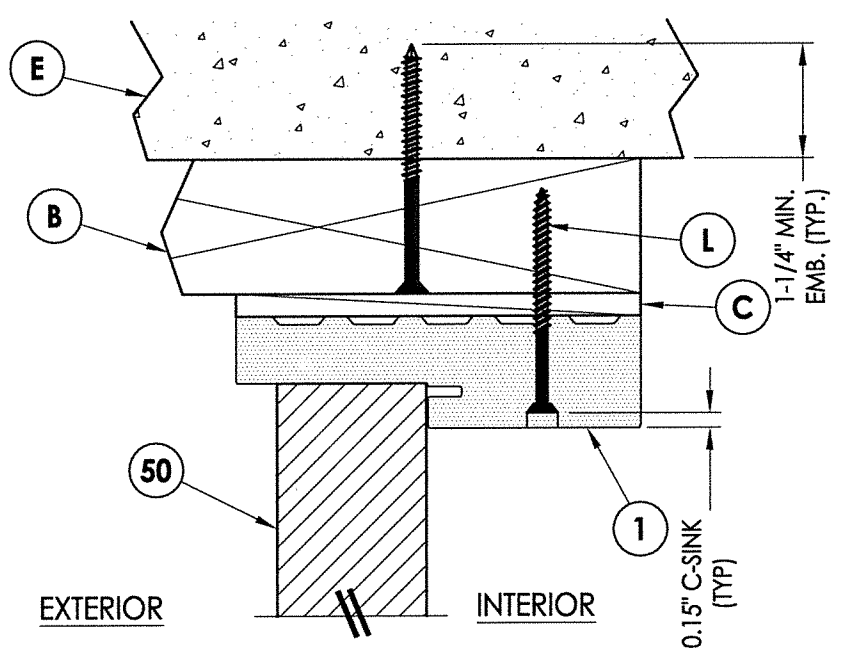
NO.	DATE	BY	REVISIONS

DATE: 5/17/16
SCALE: N.T.S.
DWG. BY: JK
CHK. BY: LFS
DRAWING NO.: FL-20474.5
SHEET 4 OF 11

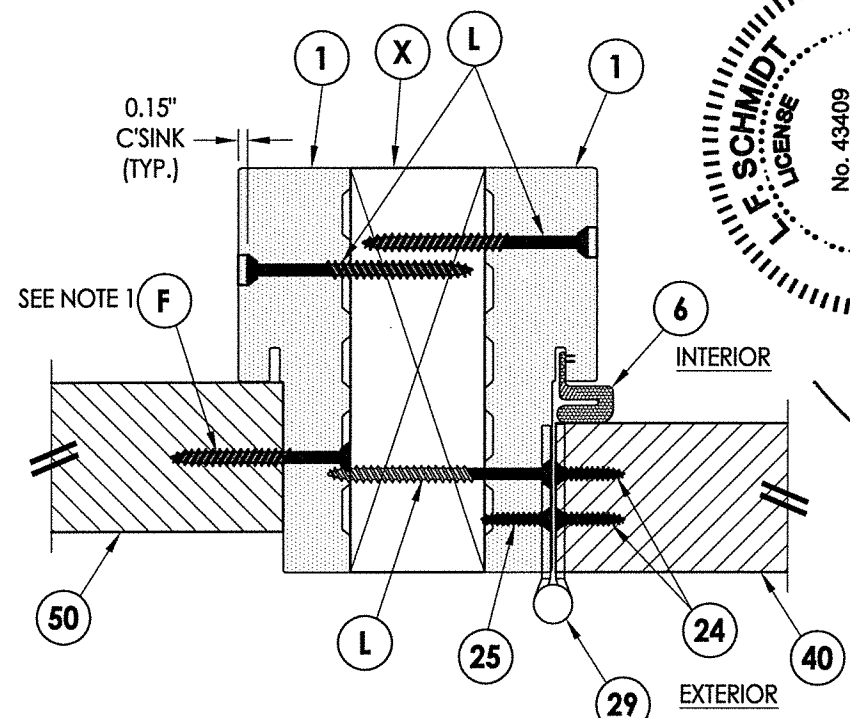
R:\Clients\HM Sure Rock PERMANENTVA - Florida Product Approvals\FL-20474\C - Drawings\FL-20474 (2014)\FL-20474.4-6.dwg, 5.2



1 VERTICAL CROSS SECTION
5 Outswing shown (Inswing similar)

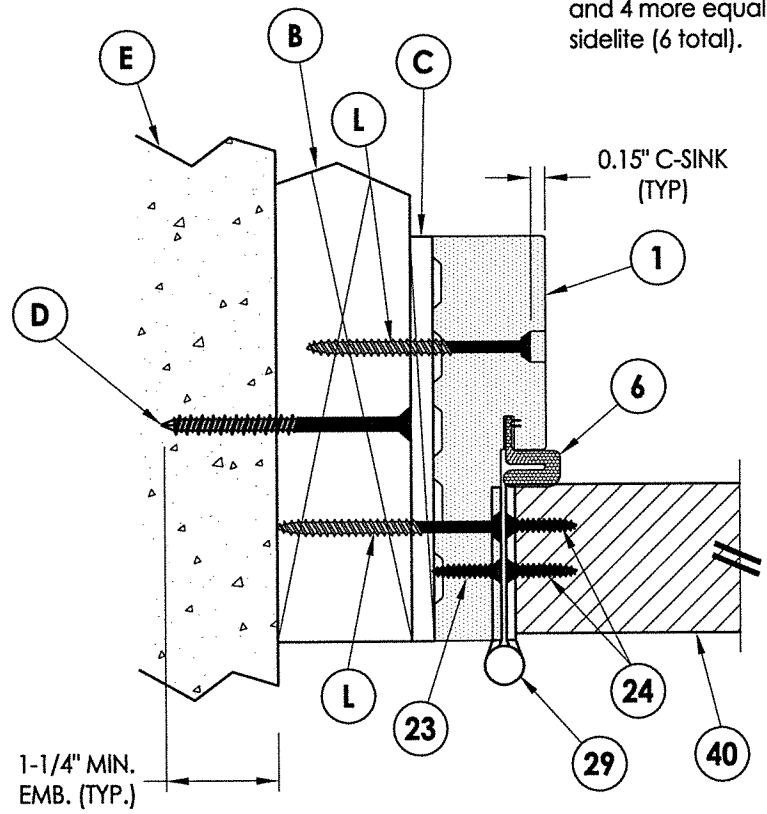


2 VERTICAL CROSS SECTION
5 Outswing shown (Inswing similar)

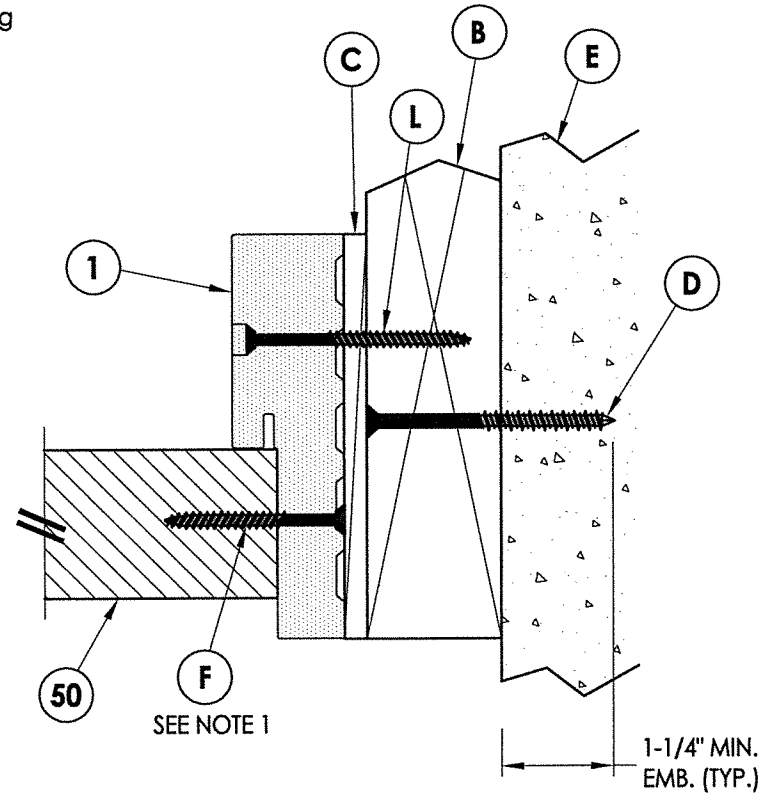


5 HORIZONTAL CROSS SECTION
5 Outswing shown (Inswing similar)

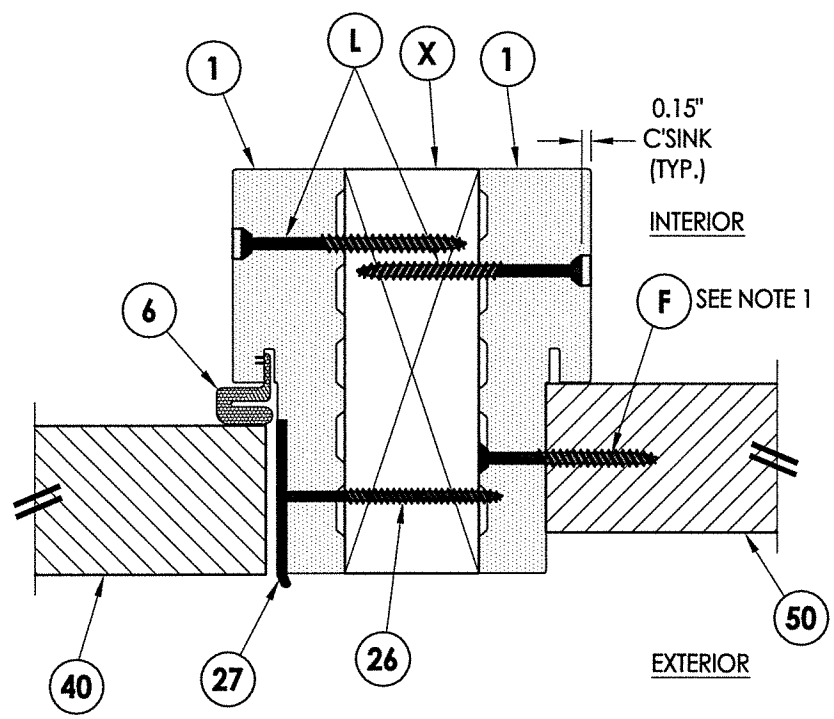
NOTE:
 1. Spacing for item F: 6" from ends and 4 more equally spaced along sidelite (6 total).



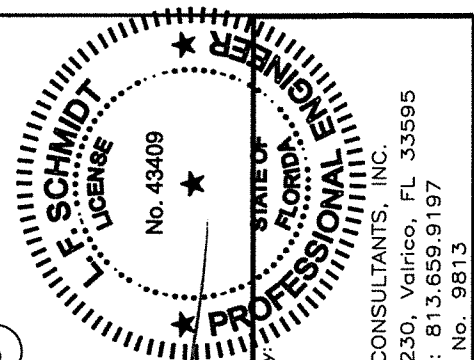
3 HORIZONTAL CROSS SECTION
5 Outswing shown (Inswing similar)



4 HORIZONTAL CROSS SECTION
5 Outswing shown (Inswing similar)



6 HORIZONTAL CROSS SECTION
5 Outswing shown (Inswing similar)

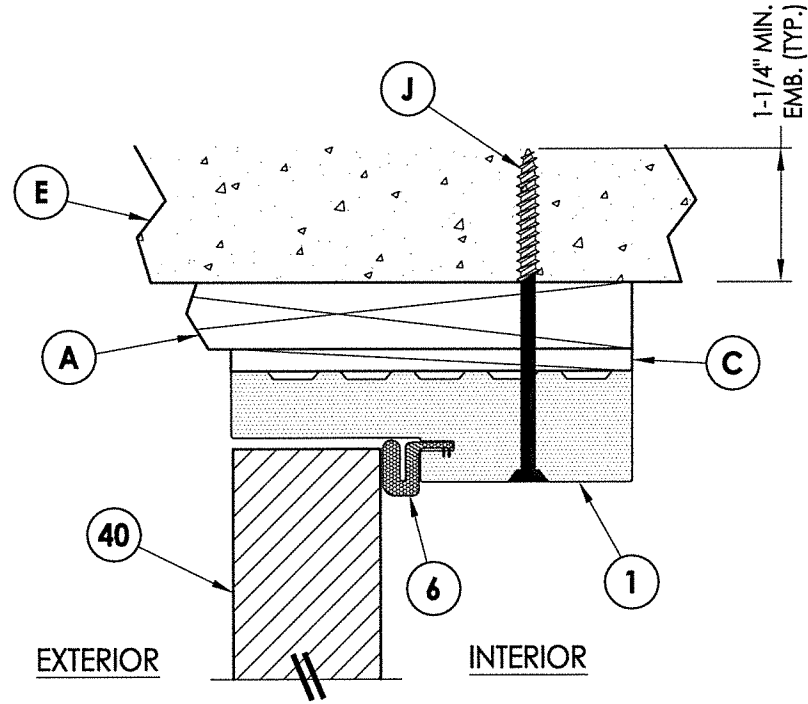


Documents Prepared By:
 Lyndon F. Schmidt
 P.E. No. 43409
 R.W.
 BUILDING CONSULTANTS, INC.
 P.O. Box 230, Valrico, FL 33595
 Phone No.: 813.659.9197
 FBPE C.A. No. 9813

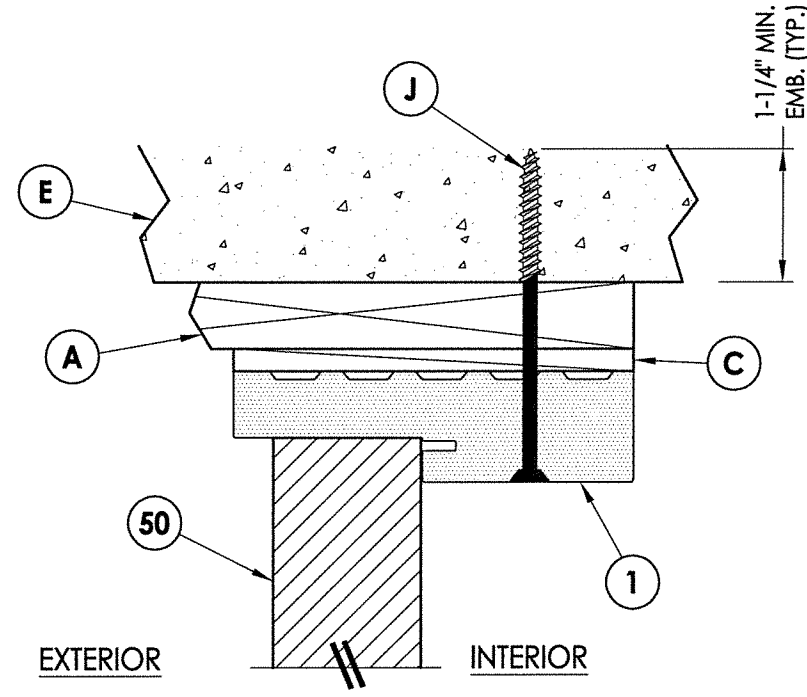
PRODUCT: SURE ROCK FIBERGLASS DOORS
 PART OR ASSEMBLY: HORIZONTAL & VERTICAL CROSS SECTIONS (2X BUCK)

NO.	DATE	BY	REVISIONS

DATE: 5/17/16
 SCALE: N.T.S.
 DWG. BY: JK
 CHK. BY: LFS
 DRAWING NO.: FL-20474.5
 SHEET 5 OF 11

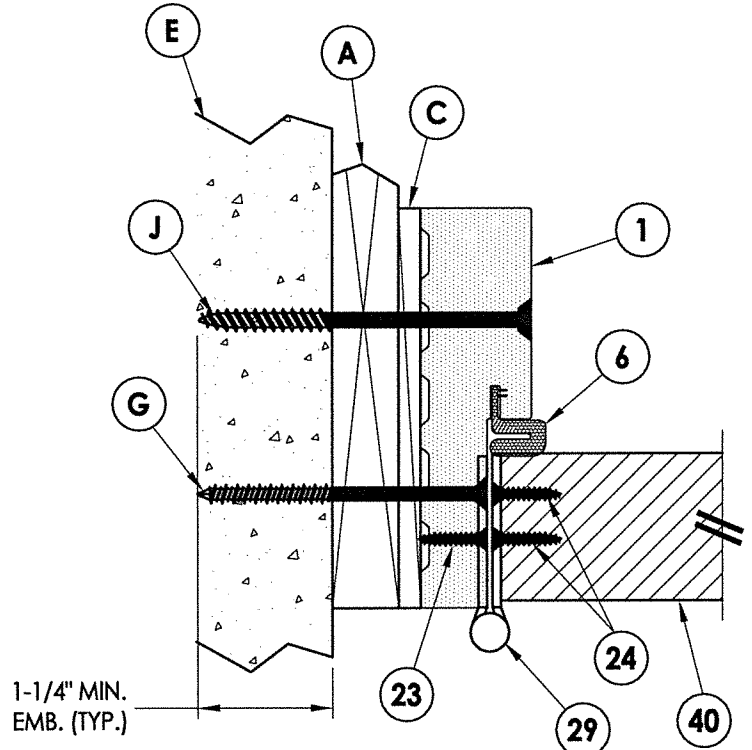


1 VERTICAL CROSS SECTION
6 Outswing shown (Inswing similar)

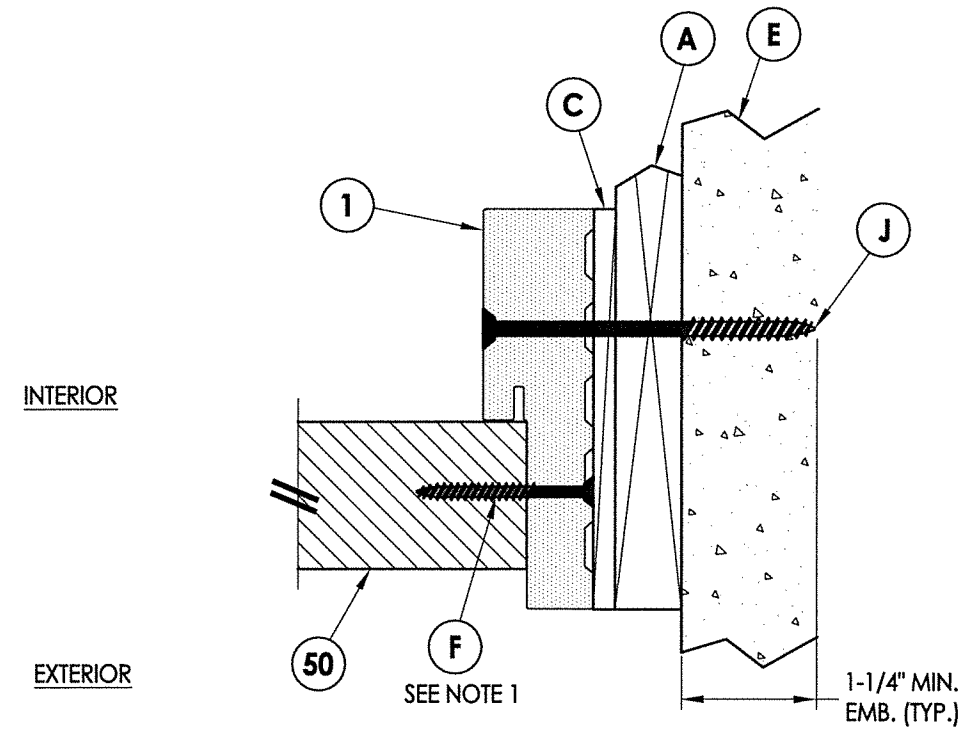


2 VERTICAL CROSS SECTION
6 Outswing shown (Inswing similar)

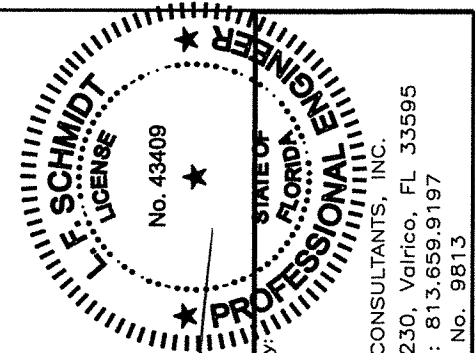
NOTE:
1. Spacing for item F: 6" from ends and 4 more equally spaced along sidelite (6 total).



3 HORIZONTAL CROSS SECTION
6 Outswing shown (Inswing similar)



4 HORIZONTAL CROSS SECTION
6 Outswing shown (Inswing similar)



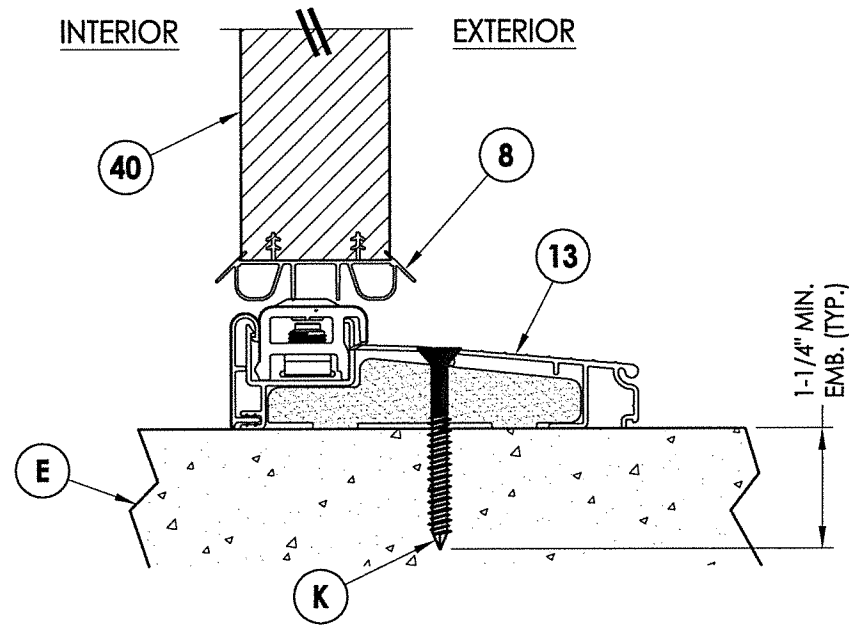
LFS
6.6.16

Documents Prepared By:
Lyndon F. Schmidt
P.E. No. 43409
RW
BUILDING CONSULTANTS, INC.
P.O. Box 230, Valrico, FL 33595
Phone No.: 813.659.9197
FBPE C.A. No. 9813

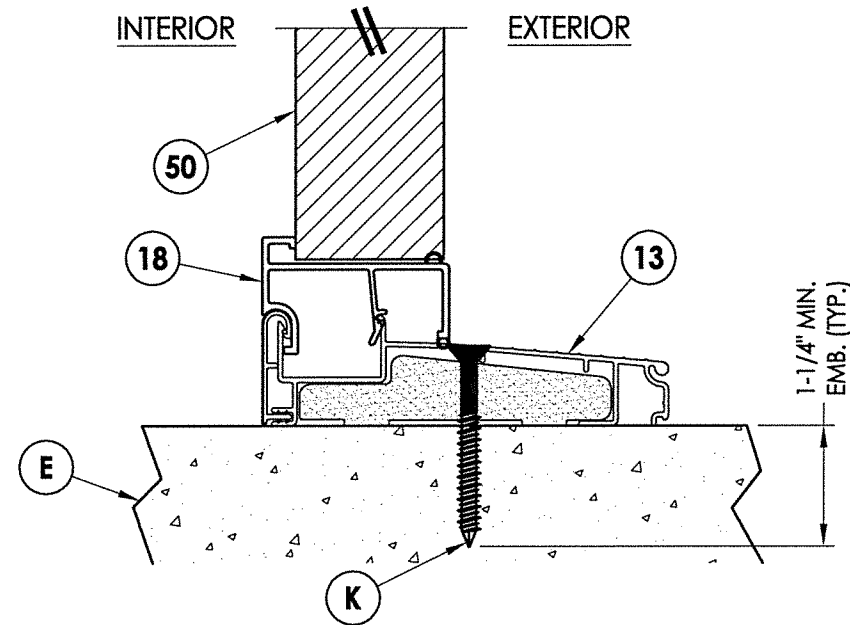
PRODUCT: SURE ROCK FIBERGLASS DOORS
PART OR ASSEMBLY: HORIZONTAL & VERTICAL CROSS SECTIONS (1X BUCK)

NO.	DATE	BY	REVISIONS

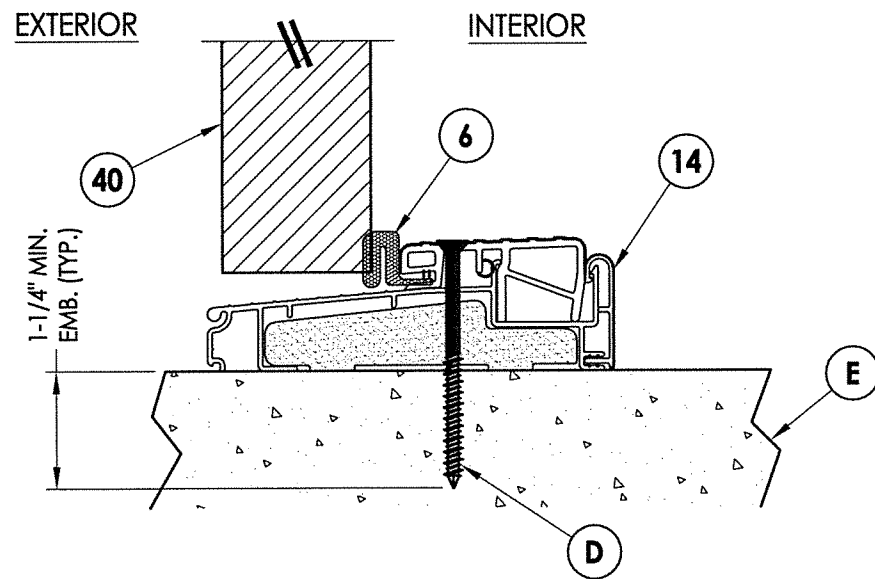
DATE: 5/17/16
SCALE: N.T.S.
DWG. BY: JK
CHK. BY: LFS
DRAWING NO.: FL-20474.5
SHEET 6 OF 11



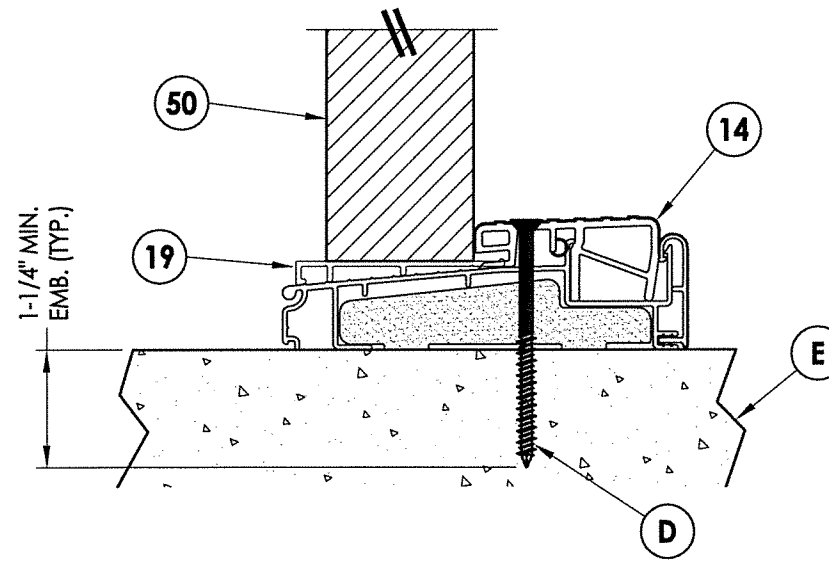
1 VERTICAL CROSS SECTION
8 Inswing Threshold



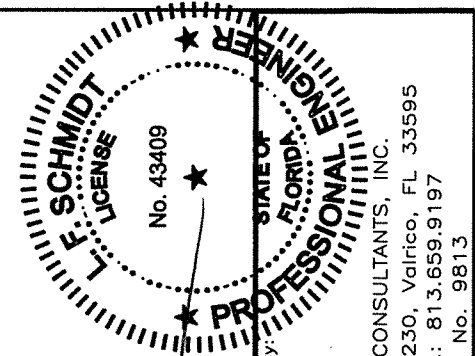
3 VERTICAL CROSS SECTION
8 Inswing Threshold



2 VERTICAL CROSS SECTION
8 Outswing Threshold

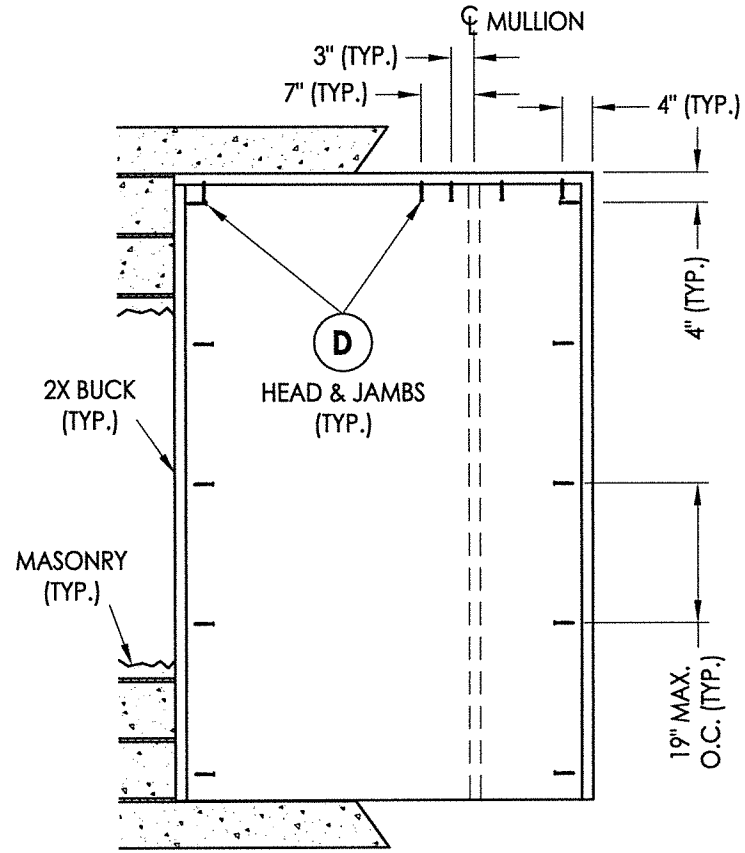


4 VERTICAL CROSS SECTION
8 Outswing Threshold

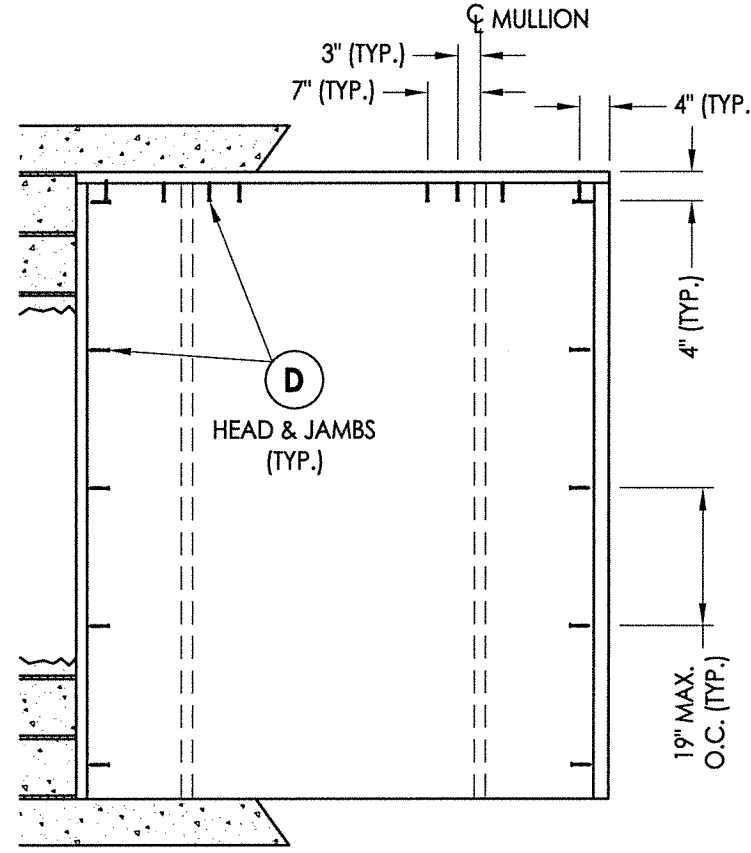


Documents Prepared By:
Lyndon F. Schmidt
P.E. No. 43409
RW BUILDING CONSULTANTS, INC.
P.O. Box 230, Valrico, FL 33595
Phone No.: 813.659.9197
FBPE C.A. No. 9813

PRODUCT: SURE ROCK FIBERGLASS DOORS	
PART OR ASSEMBLY: VERTICAL CROSS SECTIONS (THRESHOLDS)	
NO.	DATE
BY	REVISIONS
DATE: 5/17/16	
SCALE: N.T.S.	
DWG. BY: JK	
CHK. BY: LFS	
DRAWING NO.: FL-20474.5	
SHEET 8 OF 11	



XO/OX



OXO

2X BUCK ANCHORING

CONCRETE ANCHOR NOTES:

1. Concrete anchor locations at the corners may be adjusted to maintain the min. edge distance to mortar joints.
2. Concrete anchor locations noted as "MAX. ON CENTER" must be adjusted to maintain the min. edge distance to mortar joints, additional concrete anchors may be required to ensure the "MAX. ON CENTER" dimension are not exceeded.
3. Concrete anchor table:

ANCHOR TYPE	ANCHOR SIZE	MIN. EMBEDMENT	MIN. CLEARANCE TO MASONRY EDGE	MIN. CLEARANCE TO ADJACENT ANCHOR
ITW TAPCON®	1/4"	1-1/4"	2"	4"
ELCO ULTRACON®	1/4"	1-1/4"	1"	4"

WOOD SCREW INSTALLATION NOTES:

1. Maintain a minimum 5/8" edge distance, 1" end distance, & 1" o.c. spacing of wood screws to prevent the splitting of wood.

L.F. Schmidt
 6.6.16

Documents Prepared By: Lyndon F. Schmidt
 P.E. No. 43409

R.W. BUILDING CONSULTANTS, INC.
 P.O. Box 230, Valrico, FL 33595
 Phone No.: 813.659.9197
 FBPE C.A. No. 9813

PRODUCT: SURE ROCK FIBERGLASS DOORS	PART OR ASSEMBLY: BUCK ANCHORING
NO.	DATE
BY	REVISIONS
DATE: 5/17/16	
SCALE: N.T.S.	
DWG. BY: JK	
CHK. BY: LFS	
DRAWING NO.: FL-20474.5	
SHEET 9 OF 11	

